

Article datasheet

Hexagonal Screw DIN933/ISO4017 M4x8 A2 Plain Stainless Steel Hexagon

Article-No.: 001.13.432

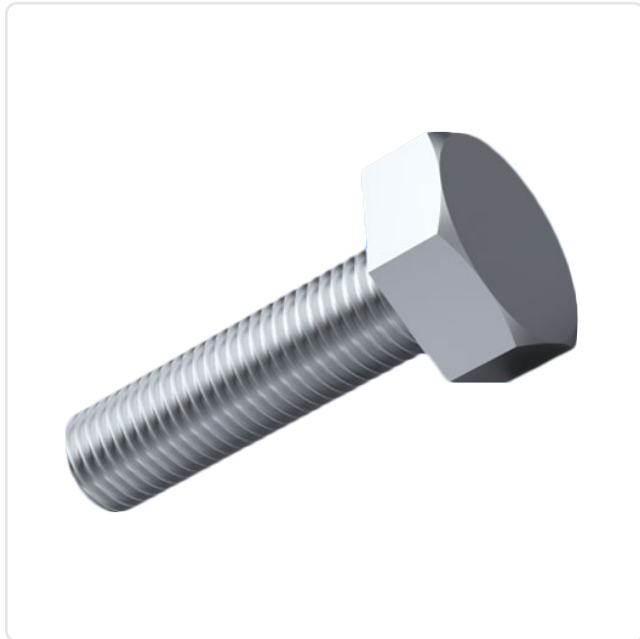
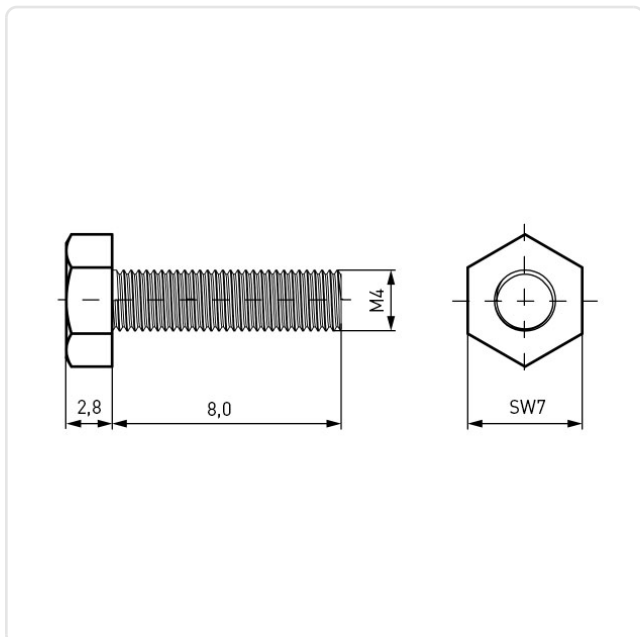


Image may be similar

| | |
|---------------------|-------------------------------|
| Actuator Size: | Hexagon Hex7 |
| DIN/ISO: | DIN933 / ISO4017 |
| Drive Type: | Hexagon |
| Finish: | Plain |
| Head Diameter [mm]: | 7 |
| Head Height [mm]: | 2.8 |
| Head Shape: | Hexagon Head |
| Length [mm]: | 8 |
| Material: | Stainless Steel AISI 304 / A2 |
| Material Group: | Stainless Steel |
| Thread Size: | M4 |
| Weight: | 1.49g |
| Conformities: | |



You can find all
information on the web on
our article detail page

Would you like individual advice?

We look forward to your email to products@ettinger.de.

Subject to change and errors.