

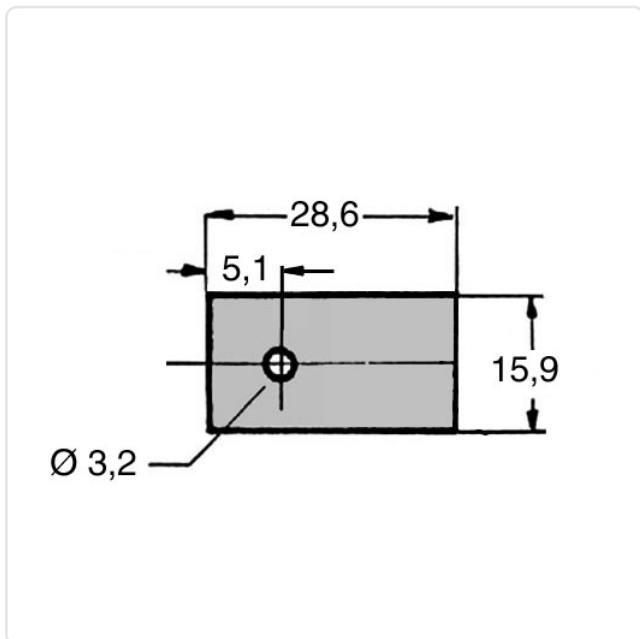
Article datasheet

Sil-Pad 400 Silicon Rubber TO-218 / thermaly conductive insulator

Article-No.: 070.06.524



Image may be similar



Material: Silicone

Weight: 0.5g

Conformities:



You can find all
information on the web on
our article detail page

Would you like individual advice?

We look forward to your email to products@ettinger.de.

Subject to change and errors.