

Article datasheet

Micro Wire Saddle 9.4x9.4mm Polyamid 6.6 natural UL94-V2 E70062

Article-No.: 072.58.152

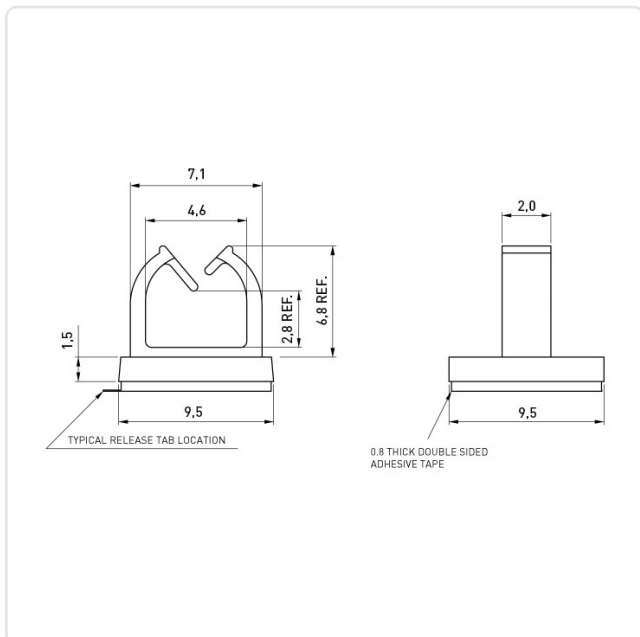


Image may be similar

Color:	Natural
Height [mm]:	6.4
Material:	Polyamide 6.6 - UL94 V-2
Material Group:	Kunststoff
Panel Thickness [mm]:	Riegel 45°
Width [mm]:	9.4
Weight:	0.23g
Conformities:	



You can find all
information on the web on
our article detail page



Would you like individual advice?

We look forward to your email to products@ettinger.de.

Subject to change and errors.