

Article datasheet

Screw Cover for M8 \varnothing 20.6/18.8mm Polyamid 6 grey

Article-No.: 003.14.488

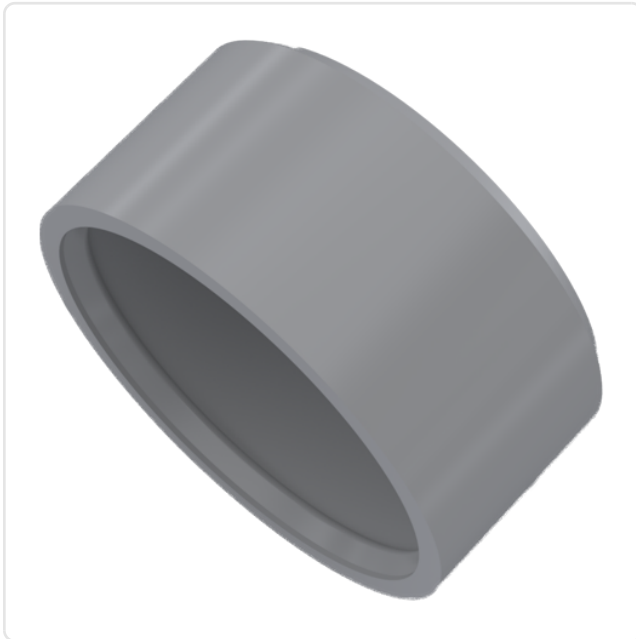
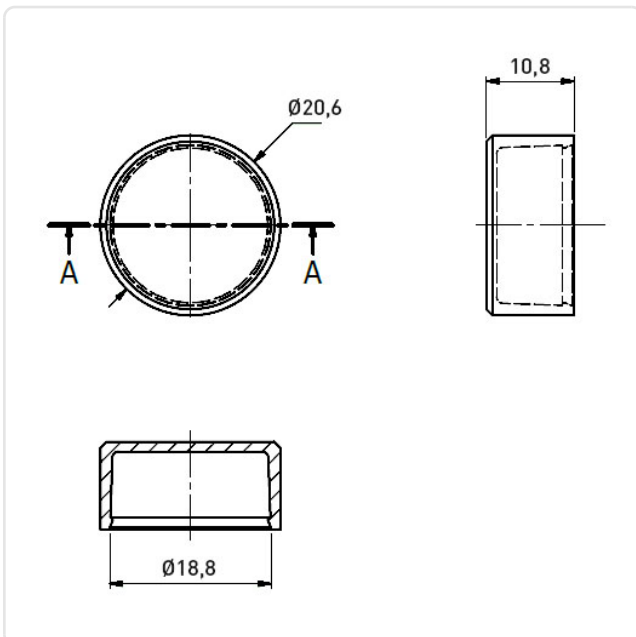


Image may be similar

Color: Gray
Head Height [mm]: 10.8
Inner Diameter [mm]: 18.8
Material: PA 6.0
Material Group: Plastic
Model: Cover Cap for Holding Ring
Outer Diameter [mm]: 20.6
Weight: 1.07g
Conformities:



You can find all information on the web on our article detail page



Would you like individual advice?

We look forward to your email to products@ettinger.de.

Subject to change and errors.