

Article datasheet

Set Cable Clamps up to 12.0 mm / with two Clamps and Screws M3x10mm

Article-No.: 014.42.712

Manufacturer: SES-Sterling

Manufacturer article-no.: 06840054000

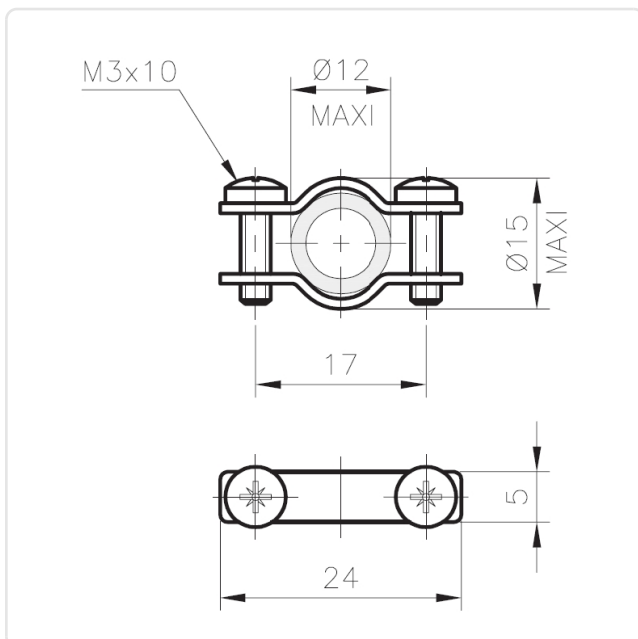


Image may be similar

Bundle Diameter [mm]: 12
Distance Middle/Middle [mm]: 12
Finish: Galvanized, Blue, 5 µm, A2K
Length [mm]: 24
Material: Steel
Width [mm]: 5
Weight: 3.4g
Conformities:



You can find all information on the web on our article detail page



Would you like individual advice?

We look forward to your email to products@ettinger.de.

Subject to change and errors.