

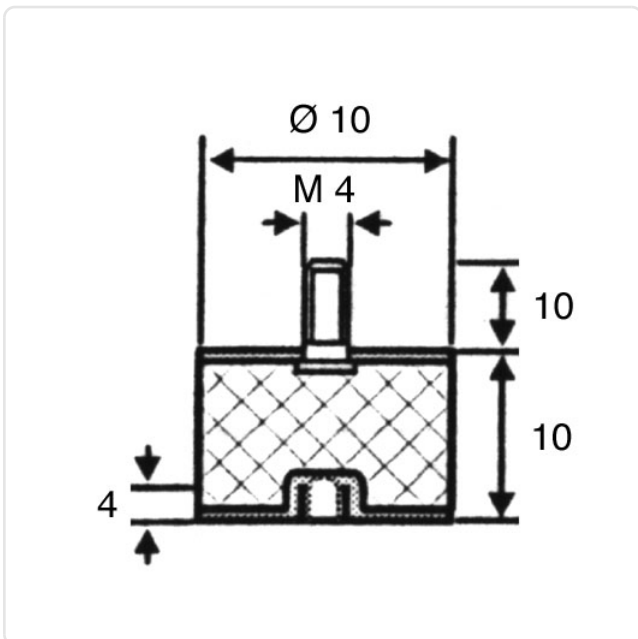
Article datasheet

Shock-Mount cylindric in-out-Thread M4/10x10 IA/SH57 natural Rubber

Article-No.: 071.35.444



Image may be similar



Diameter [mm]:	10
Female Thread Length [mm]:	4
Finish:	Galvanized, Blue, 5 µm, A2K
Height [mm]:	10
Male Thread Length [mm]:	10
Material:	Natural Rubber
Material Group:	Kunststoff
Shore-Hardness:	Grade of Hardness 55-57°
Thread Size:	M4
Weight:	2.75g
Conformities:	



You can find all
information on the web on
our article detail page

Would you like individual advice?

We look forward to your email to products@ettinger.de.

Subject to change and errors.