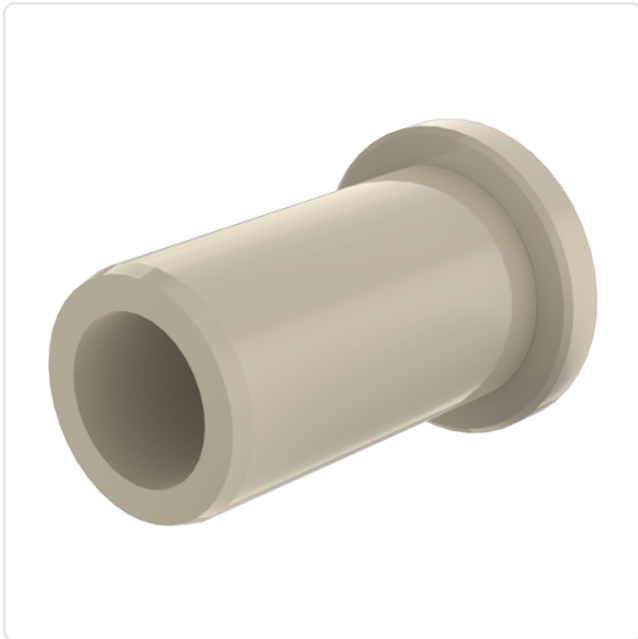


Article datasheet

## Flanged Bearing $\varnothing 8/11/16 \times 7/2$ mm Polyamid 6.6 natural UL94-V2

Article-No.: 005.99.088



Color: Natural  
Flammability Class: UL94-V2  
Inner Diameter [mm]: 8  
Length [mm]: 7  
Lug Diameter [mm]: 11  
Material: PA 6.6  
Material Group: Plastic  
Model: With High Lug  
Outer Diameter [mm]: 16  
Weight: 0.62g  
Conformities:



Image may be similar



You can find all information on the web on our article detail page

Would you like individual advice?

We look forward to your email to [products@ettinger.de](mailto:products@ettinger.de).

Subject to change and errors.

