

Article datasheet

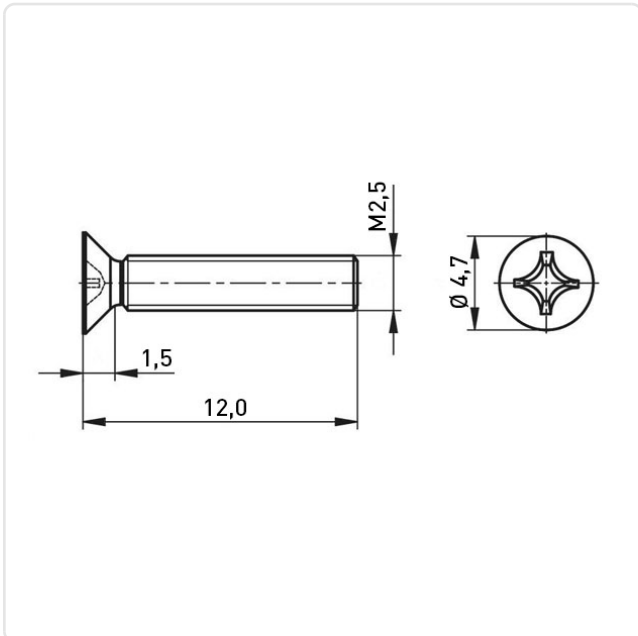
Countersunk Screw ISO7046 M2.5x12 Galvanized Steel 4.8 Cross Recessed

Article-No.: 001.12.251



Image may be similar

Actuator Size:	Pozidriv PZ1
DIN/ISO:	DIN965 / ISO7046
Drive Type:	Cross Recess / Pozidriv-Z
Finish:	Galvanized, Blue, 5 µm, A2K
Head Diameter [mm]:	4.7
Head Height [mm]:	1.5
Head Shape:	Countersunk Head
Length [mm]:	12
Material:	Steel 4.8
Material Group:	Steel
Thread Size:	M2.5
Weight:	0.39g
Conformities:	



You can find all
information on the web on
our article detail page

Would you like individual advice?
We look forward to your email to products@ettinger.de.

Subject to change and errors.