

Article datasheet

## Insulation Sleeve for countersunk screw M4

Article-No.: 003.28.046

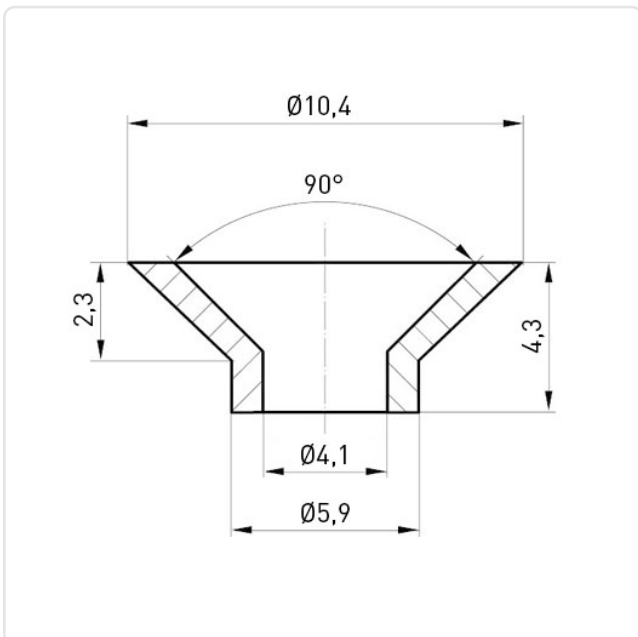


Image may be similar

Inner Diameter [mm]: 4.1  
Lug Diameter [mm]: 5.9  
Material: PA 6  
Material Group: Plastic  
Model: Insulating Sleeve for Countersunk Screw  
Outer Diameter [mm]: 10.4  
Weight: 0.09g  
Conformities:



You can find all  
information on the web on  
our article detail page



Would you like individual advice?

We look forward to your email to [products@ettinger.de](mailto:products@ettinger.de).

Subject to change and errors.