

Article datasheet

## Countersunk Screw ISO2009 M4x8 Galvanized Steel 4.8 Slotted

Article-No.: 001.11.431

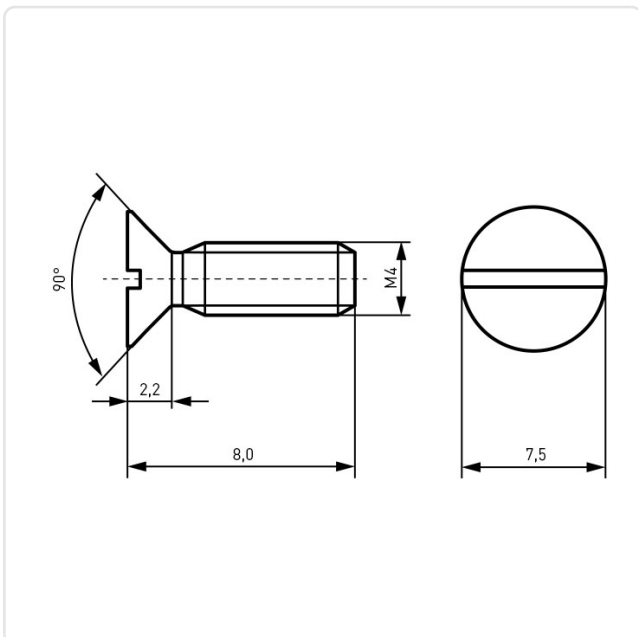


Image may be similar

|                     |                             |
|---------------------|-----------------------------|
| DIN/ISO:            | DIN963 / ISO2009            |
| Drive Type:         | Slotted                     |
| Finish:             | Galvanized, Blue, 5 µm, A2K |
| Head Diameter [mm]: | 7.5                         |
| Head Height [mm]:   | 2.2                         |
| Head Shape:         | Countersunk Head            |
| Length [mm]:        | 8                           |
| Material:           | Steel 4.8                   |
| Material Group:     | Steel                       |
| Thread Size:        | M4                          |
| Weight:             | 1.04g                       |
| Conformities:       |                             |



You can find all information on the web on our article detail page



Would you like individual advice?

We look forward to your email to [products@ettinger.de](mailto:products@ettinger.de).

Subject to change and errors.