

Article datasheet

## Sleeve Insulator 6.3mm for 0.5-2.5mm<sup>2</sup> Polyamide natural

Article-No.: 012.99.611

Manufacturer: SES-Sterling

Manufacturer article-no.: 0651 0002 018

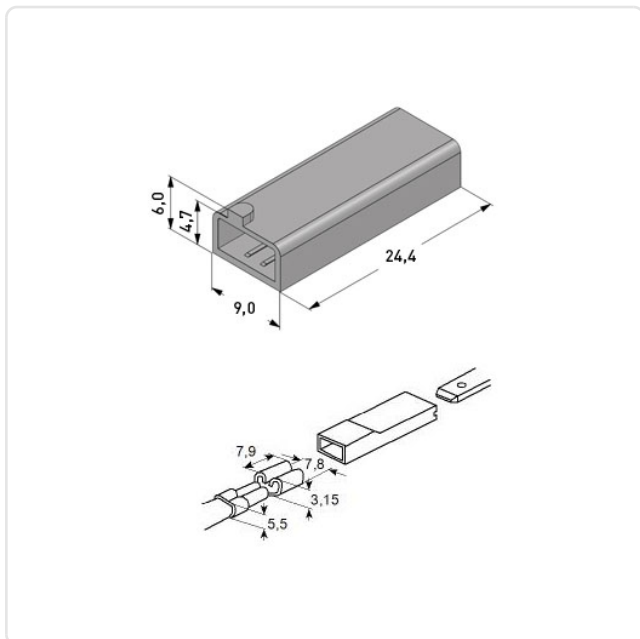


Image may be similar

Color: Natural  
Insulation: Polyamide  
Length [mm]: 25  
Material: PA 6.6  
Material Group: Plastic  
Weight: 0.36g  
Conformities:



You can find all information on the web on our article detail page



Would you like individual advice?

We look forward to your email to [products@ettinger.de](mailto:products@ettinger.de).

Subject to change and errors.