

Article datasheet

SEMS Screw ISO7045 PH M4x8 Galv. Steel 4.8 Clamping Washer

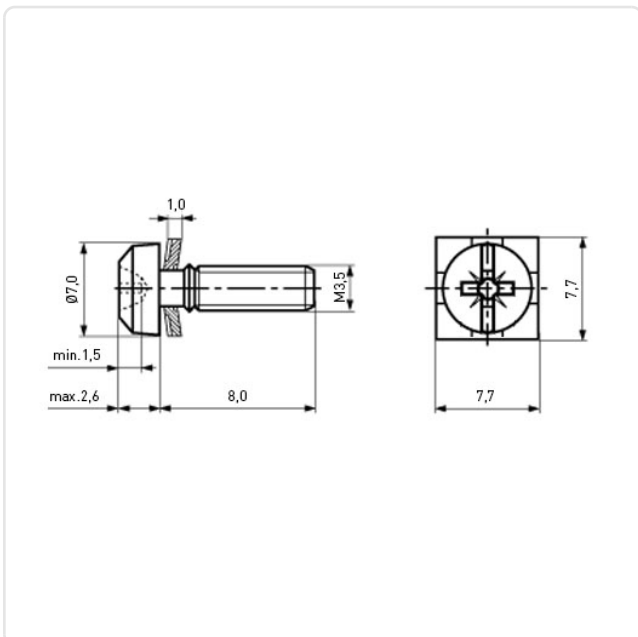
Article-No.: 081.58.539



Actuator Size:	Phillips PH2
Combination:	Clamping Washer
DIN/ISO:	DIN7985 / ISO7045
Drive Type:	Cross Recess / Slotted
Finish:	Galvanized, Blue, 5 µm, A2K
Head Diameter [mm]:	7
Head Height [mm]:	2.6
Head Shape:	Pan Head
Length [mm]:	8
Material:	Steel 4.8
Thread Size:	M3.5
Weight:	1.32g
Conformities:	



Image may be similar



You can find all
information on the web on
our article detail page

Would you like individual advice?

We look forward to your email to products@ettinger.de.

Subject to change and errors.