

Article datasheet

Conical Spring Washer $\varnothing 5.3/9.2 \times 0.5$ Galvanized Spring Steel

Article-No.: 003.24.951

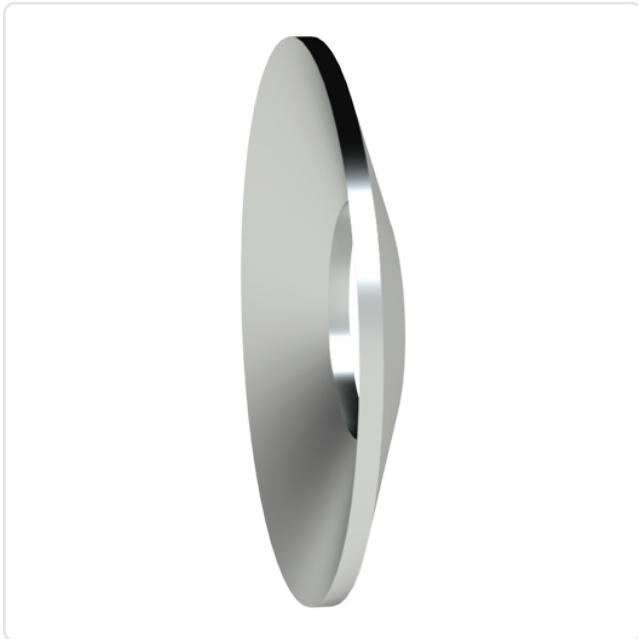
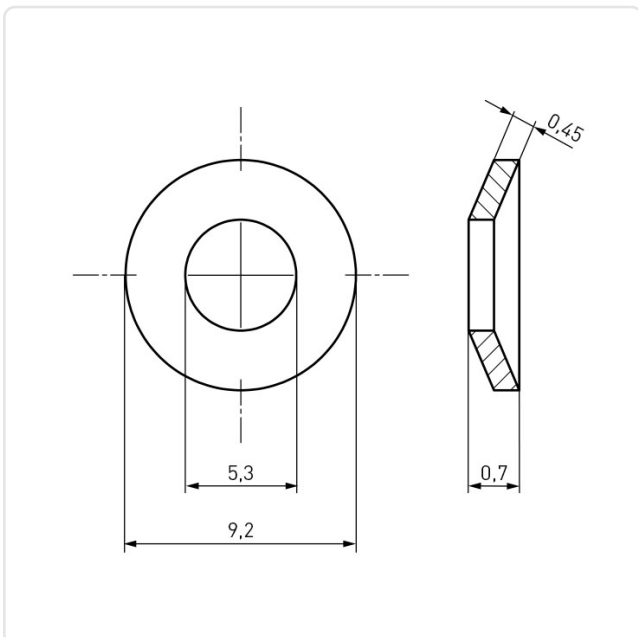


Image may be similar

Finish: Galvanized, Blue, 5 μm , A2K
For Thread Size: M5
Height [mm]: 0.45
Inner Diameter [mm]: 5.3
Material: Spring Steel
Material Group: Steel
Outer Diameter [mm]: 9.2
Conformities:



You can find all
information on the web on
our article detail page



Would you like individual advice?

We look forward to your email to products@ettinger.de.

Subject to change and errors.