

Article datasheet

Contact Washer $\varnothing 6.1/12.2 \times 1.2$ A4 Plain Stainless Steel

Article-No.: 003.20.069

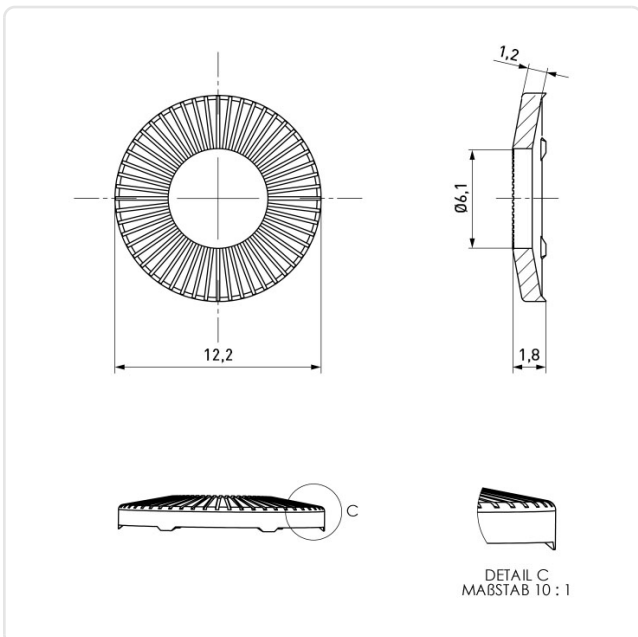


Image may be similar

Finish: Plain
For Thread Size: M6
Height [mm]: 1.2
Inner Diameter [mm]: 6.1
Material: Stainless Steel AISI 316 / A4
Material Group: Stainless Steel
Outer Diameter [mm]: 12.2
Weight: 0.73g
Conformities:



You can find all information on the web on our article detail page



Would you like individual advice?

We look forward to your email to products@ettinger.de.

Subject to change and errors.