

Article datasheet

Standoff Galvanized Steel M/M AF5.5x4.5 T1=M3x6.5 T2=M3x6.5 w/o UC

Article-No.: 005.21.341

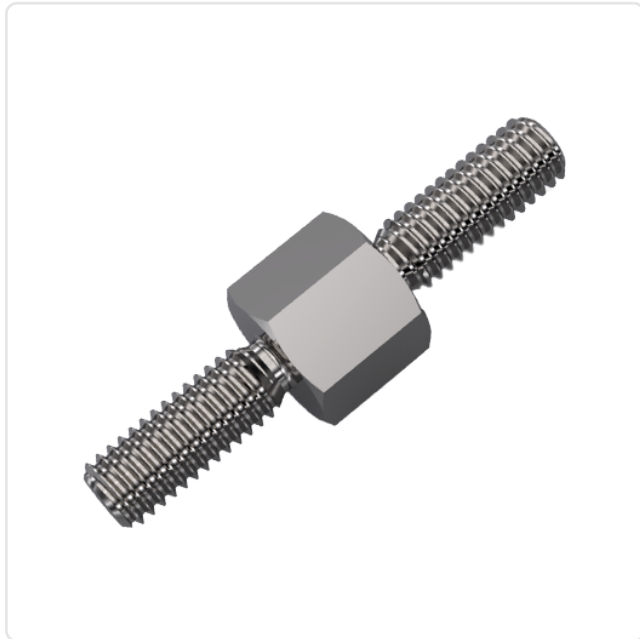
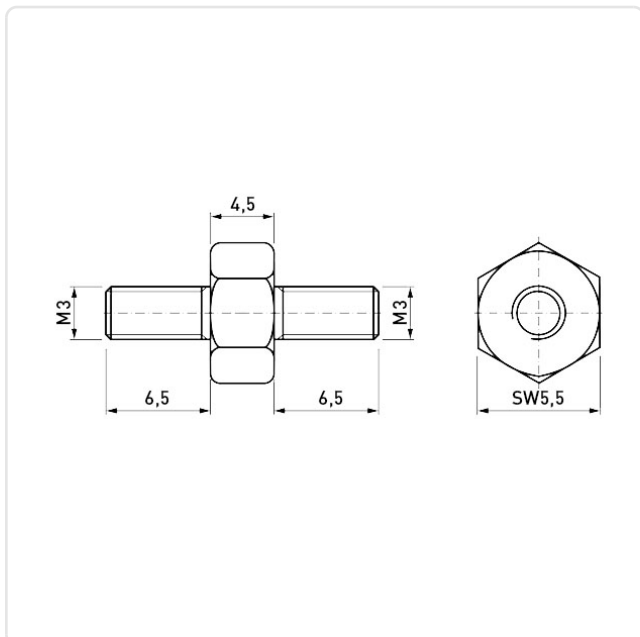


Image may be similar

AF / OD [mm]:	5.5
Finish:	Galvanized, Blue, 5 µm, A2K
Length [mm]:	4.5
Material:	Steel 11SMnPb30(+C)
Material Group:	Steel
Profile:	Hexagonal
Thread 1 Length [mm]:	6.5
Thread 1 Size:	M3
Thread 2 Length [mm]:	6.5
Thread 2 Size:	M3
Undercut:	No
Weight:	1.44g
Conformities:	



You can find all
information on the web on
our article detail page

Would you like individual advice?

We look forward to your email to products@ettinger.de.

Subject to change and errors.