

Article datasheet

## Self-Adhesive Bumper Ø10.0x3.3 PUR transparent

Article-No.: 017.52.103

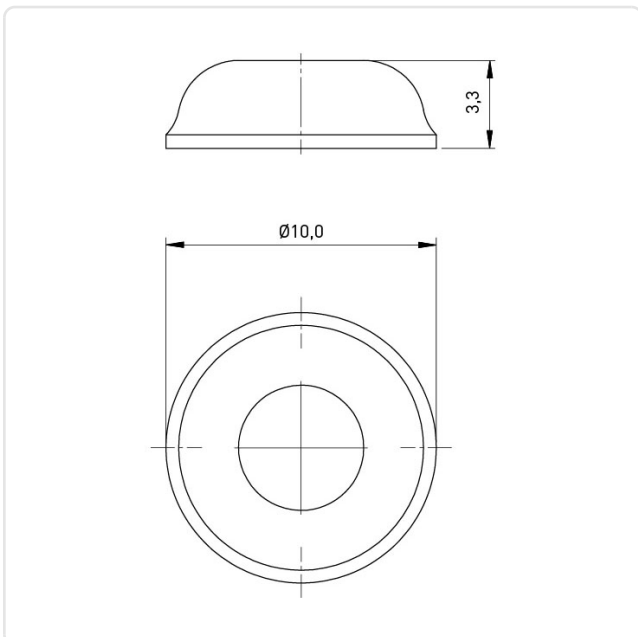


Image may be similar

Bumper Design: Semicircular  
Color: Transparent  
Diameter [mm]: 10  
Flammability Class: UL94-HB  
Height [mm]: 3.3  
Material: PUR - Polyurethane  
Weight: 0.34g  
Conformities:



You can find all  
information on the web on  
our article detail page



Would you like individual advice?

We look forward to your email to [products@ettinger.de](mailto:products@ettinger.de).

Subject to change and errors.