

Article datasheet

Insulation sleeve $\varnothing 3.2/4.4/6.3 \times 1.9$ Polyamid 4.6 black/-40°C/+163°C

Article-No.: 070.83.235

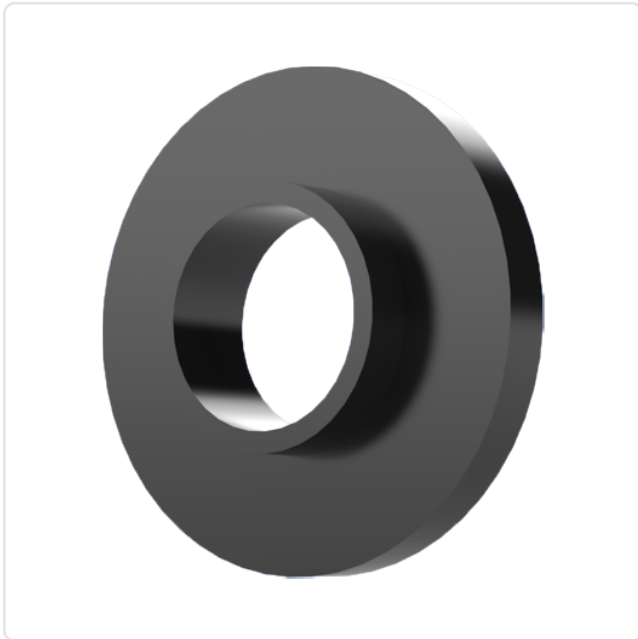
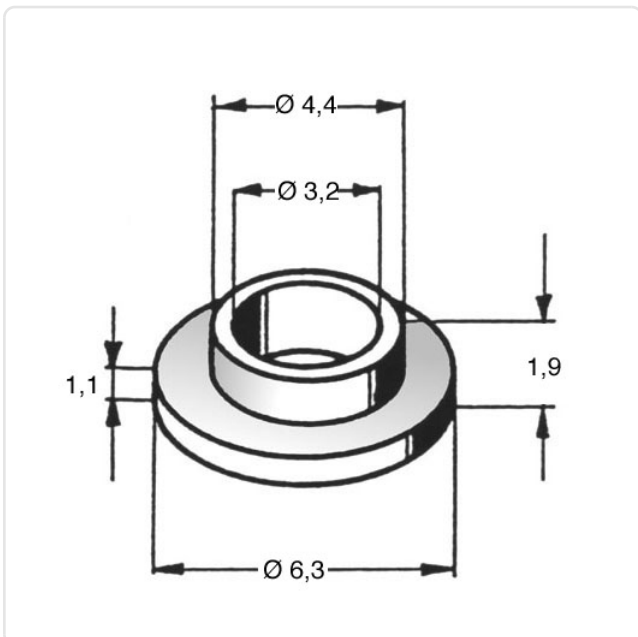


Image may be similar



Color:	Black
Flammability Class:	UL94-V0
Height [mm]:	1.9
Inner Diameter [mm]:	3.2
Lug Diameter [mm]:	4.4
Material:	Polyamide 4.6 with Glasfiber
Material Group:	Die Cast Zinc
Model:	With Low Lug
Outer Diameter [mm]:	6.3
Weight:	0.05g
Conformities:	



You can find all
information on the web on
our article detail page

Would you like individual advice?

We look forward to your email to products@ettinger.de.

Subject to change and errors.