

Article datasheet

## Flat Head Screw ISO7045 M3x6 PA-66 Cross Recess Pan Head

Article-No.: 001.47.320

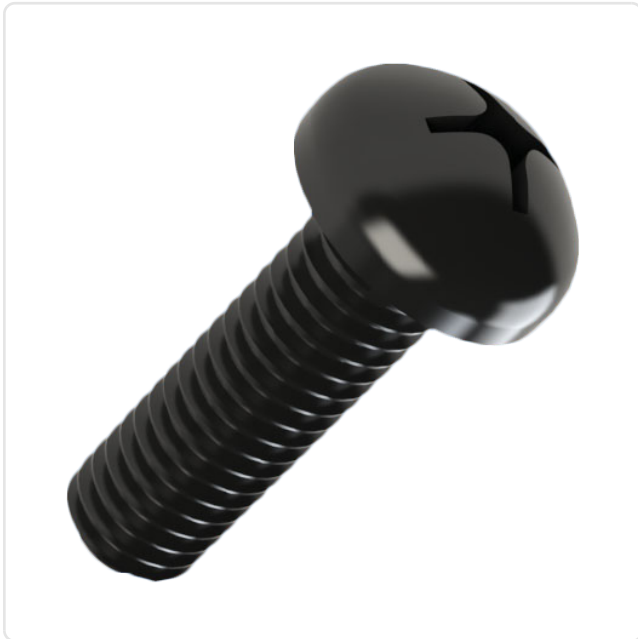
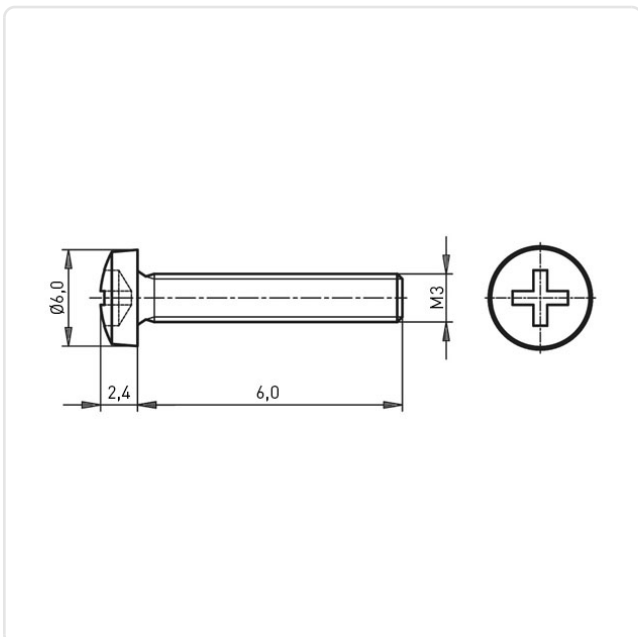


Image may be similar

Actuator Size:	Phillips PH1
Color:	Black
DIN/ISO:	DIN7985 / ISO7045
Drive Type:	Cross Recess / Phillips-H
Flammability Class:	UL94-V2
Head Diameter [mm]:	6
Head Height [mm]:	2.4
Head Shape:	Pan Head
Length [mm]:	6
Material:	PA 6.6
Material Group:	Plastic
Thread Size:	M3
Weight:	0.1g
Conformities:	



You can find all  
information on the web on  
our article detail page

Would you like individual advice?

We look forward to your email to [products@ettinger.de](mailto:products@ettinger.de).

Subject to change and errors.