

Article datasheet

## UNC Bolt UNC10-32 x 9.5 A2 Plain ST STL C/R Pan Head

Article-No.: 001.67.909

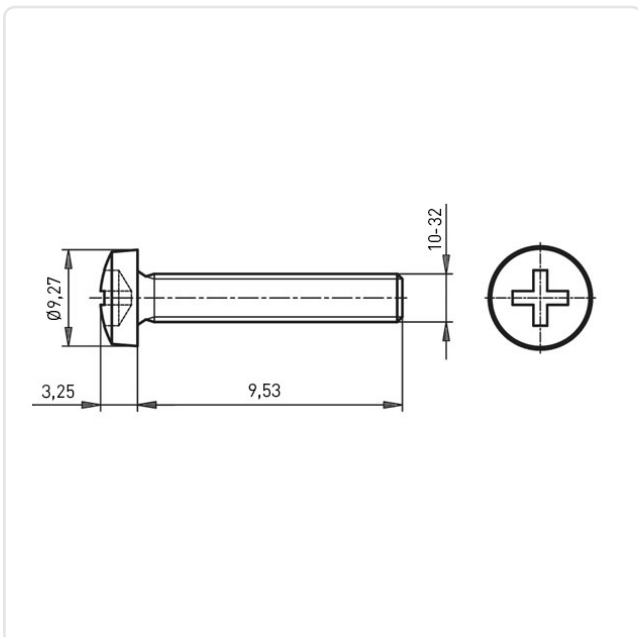
Manufacturer: Keystone Electronics

Manufacturer article-no.: 9909



Image may be similar

Actuator Size:	Phillips PH2
Drive Type:	Cross Recess / Phillips-H
Finish:	Plain
Head Diameter [mm]:	9.3
Head Height [mm]:	3.2
Head Shape:	Pan Head
Length [mm]:	9.5
Material:	Stainless Steel AISI 304 / A2
Material Group:	Stainless Steel
Thread Size:	UNC10-32
Weight:	0.79g
Conformities:	



You can find all information on the web on our article detail page

Would you like individual advice?

We look forward to your email to [products@ettinger.de](mailto:products@ettinger.de).

Subject to change and errors.