

Article datasheet

## SEMS Screw ISO14583 TX Z3 M4x8 Galvanized Steel 8.8 Spring Washer

Article-No.: 081.54.431

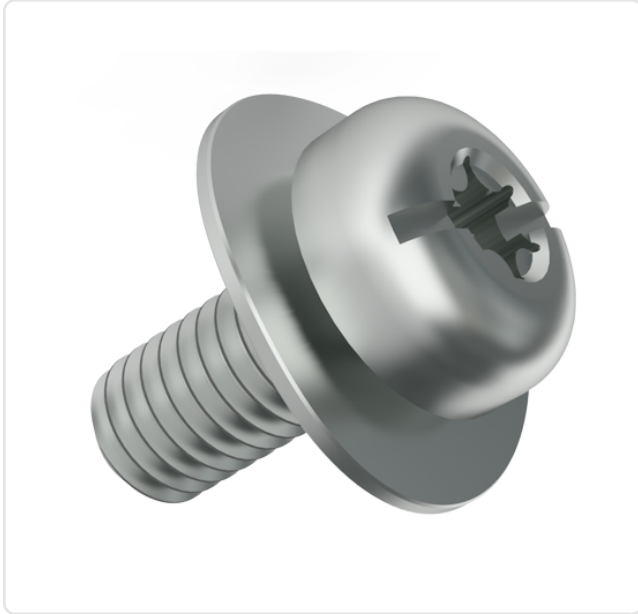
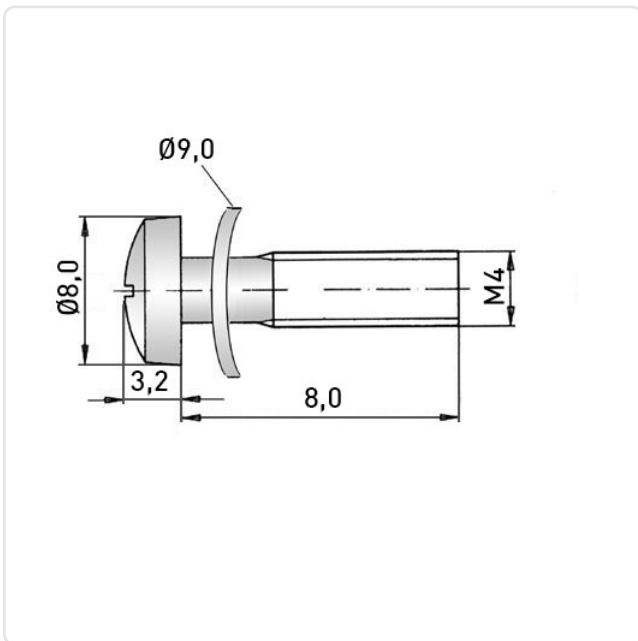


Image may be similar

Actuator Size:	Torx T20
Combination:	Spring Washer DIN6904
DIN/ISO:	ISO14583
Drive Type:	TORX / Slotted
Finish:	Galvanized, Blue, 5 µm, A2K
Head Diameter [mm]:	8
Head Height [mm]:	3.1
Head Shape:	Pan Head
Length [mm]:	8
Material:	Steel 8.8, lead-free
Thread Size:	M4
Weight:	1.77g
Conformities:	



You can find all  
information on the web on  
our article detail page

Would you like individual advice?

We look forward to your email to [products@ettinger.de](mailto:products@ettinger.de).

Subject to change and errors.