

Article datasheet

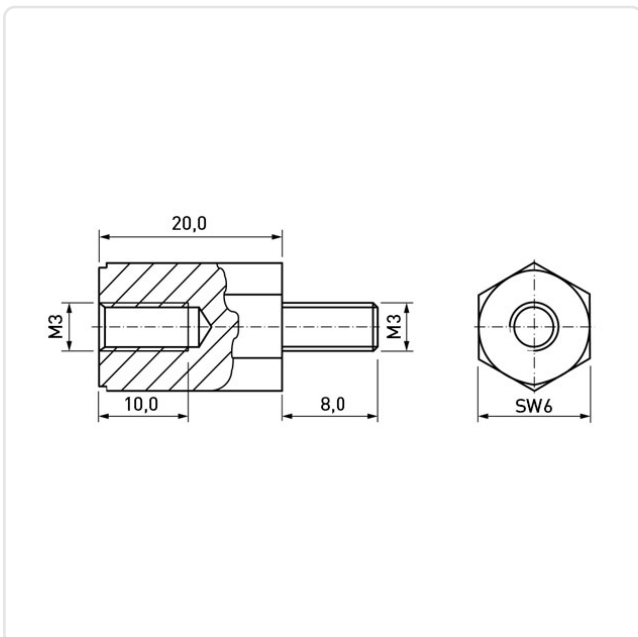
Standoff Polyamide 6.6 Black M/F AF6x20 F=M3x10 M=M3x8 w/o Undercut

Article-No.: 005.43.200



Image may be similar

AF / OD [mm]:	6
Color:	Black
Female Thread Length [mm]:	10
Female Thread Size:	M3
Flammability Class:	UL94-HB
Length [mm]:	20
Male Thread Length [mm]:	8
Male Thread Size:	M3
Material:	PA 6.6
Material Group:	Kunststoff
Profile:	Hexagonal
Undercut:	No
Weight:	0.63g
Conformities:	



You can find all information on the web on our article detail page

Would you like individual advice?

We look forward to your email to products@ettinger.de.

Subject to change and errors.