

Article datasheet

Lock Washer $\text{\O}6.4/10.0 \times 0.7$ Galvanized Spring Steel

Article-No.: 003.04.061

Manufacturer: SCHNORR

Manufacturer article-no.: 450700 S-6

SCHNORR
DISC SPRING ENGINEERING

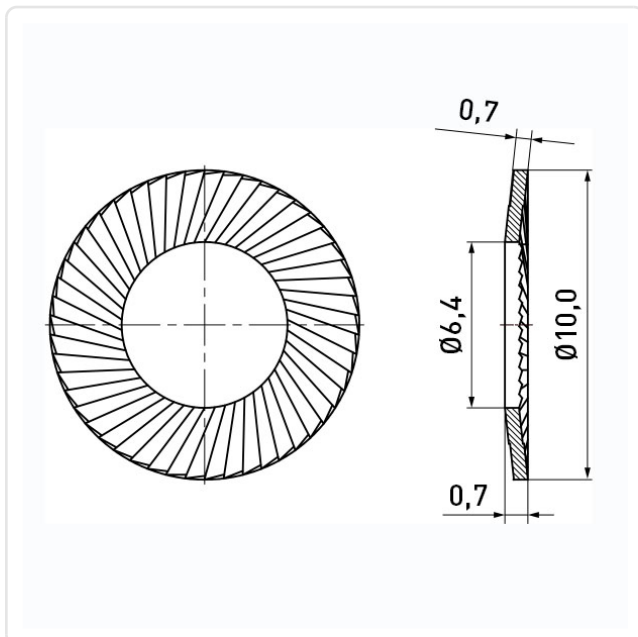


Image may be similar

Finish: Galvanized, Blue, 5 μm , A2K
For Thread Size: M6
Height [mm]: 0.7
Inner Diameter [mm]: 6.4
Material: Spring Steel
Outer Diameter [mm]: 10
Weight: 0.2g
Conformities:



You can find all
information on the web on
our article detail page



Would you like individual advice?

We look forward to your email to products@ettinger.de.

Subject to change and errors.