

Article datasheet

Cheese Head Screw ISO1207 M2.5x16 Nickel-Plated Steel 4.8 Slotted

Article-No.: 001.14.263

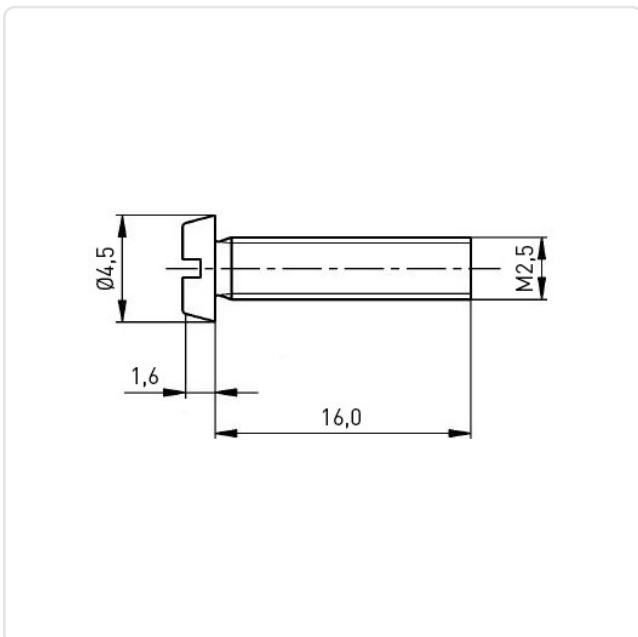


Image may be similar

| | |
|---------------------|--------------------------|
| DIN/ISO: | DIN84 / ISO1207 |
| Drive Type: | Slotted |
| Finish: | Nickel-Plated, 3 µm, E1E |
| Head Diameter [mm]: | 4.5 |
| Head Height [mm]: | 1.6 |
| Head Shape: | Cheese Head |
| Length [mm]: | 16 |
| Material: | Steel 4.8 |
| Material Group: | Steel |
| Thread Size: | M2.5 |
| Weight: | 0.6g |
| Conformities: | |



You can find all
information on the web on
our article detail page



Would you like individual advice?

We look forward to your email to products@ettinger.de.

Subject to change and errors.