

Article datasheet

Solder Terminal Pin 0.7x8.5mm 90° Brass tinned 0.6mm

Article-No.: 013.19.119

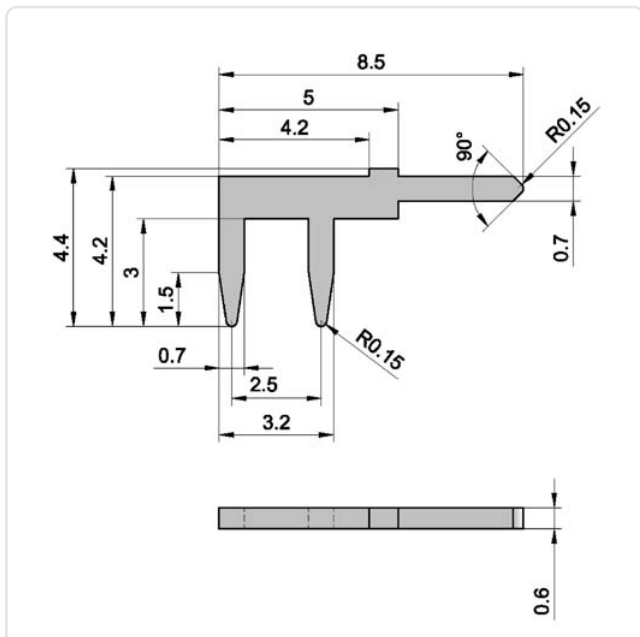


Image may be similar

Finish: Tin-Plated
Length [mm]: 8.5
Material: Brass CuZn37
Material Group: Brass
Model: flat
PCB Hole Ø [mm]: 0.8
Weight: 0.06g
Conformities:



You can find all
information on the web on
our article detail page



Would you like individual advice?

We look forward to your email to products@ettinger.de.

Subject to change and errors.