

Article datasheet

**Coincell Holder ø20mm vertical PBT UL94-V0 - solder pins for PCB**

Article-No.: 015.61.602

Manufacturer: Keystone Electronics

Manufacturer article-no.: 1065

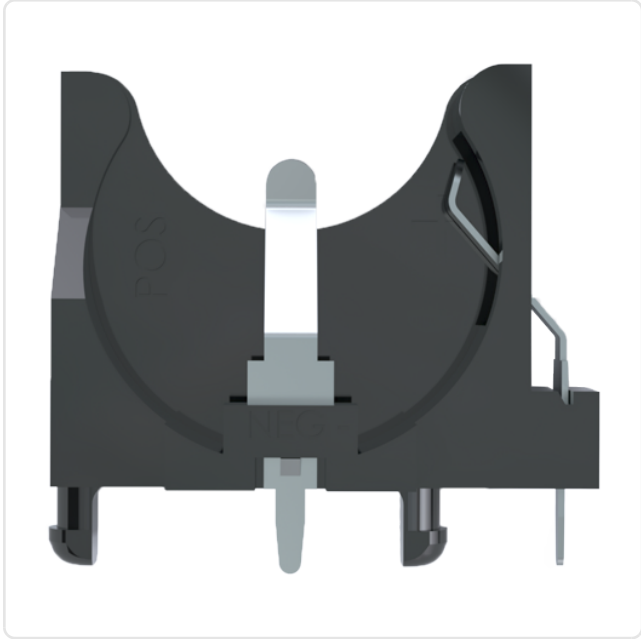


Image may be similar

Battery Type: Cell Dia. 20mm  
 Finish: Tin-Plated  
 Flammability Class: UL94-V0  
 Height [mm]: 25.4  
 Material: PBT - Polybutylene terephthalate  
 Material Group: Kunststoff  
 Model: PCB Mounting Connection  
 No. Cells: 1  
 Weight: 2.75g  
 Conformities:



You can find all information on the web on our article detail page

Would you like individual advice?  
 We look forward to your email to [products@ettinger.de](mailto:products@ettinger.de).

Subject to change and errors.

