

Article datasheet

Countersunk Screw ISO2009 M2.5x16 Nickel-Plated Steel 4.8 Slotted

Article-No.: 001.11.263

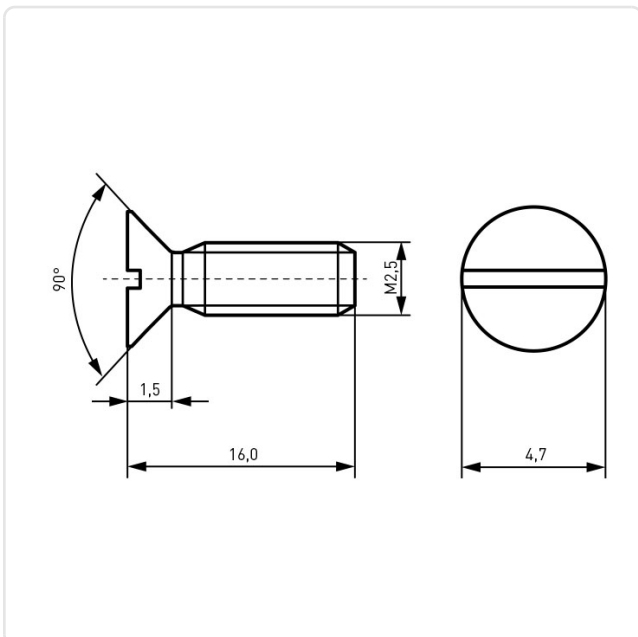


Image may be similar

DIN/ISO:	DIN963 / ISO2009
Drive Type:	Slotted
Finish:	Nickel-Plated, 3 µm, E1E
Head Diameter [mm]:	4.7
Head Height [mm]:	1.5
Head Shape:	Countersunk Head
Length [mm]:	16
Material:	Steel 4.8
Material Group:	Steel
Thread Size:	M2.5
Weight:	0.51g
Conformities:	



You can find all information on the web on our article detail page



Would you like individual advice?

We look forward to your email to products@ettinger.de.

Subject to change and errors.