

Article datasheet

Hole Plug $\varnothing 15.4/19.5 \times 8.5$ mm for M18 Polyethylen, black

Article-No.: 014.14.950

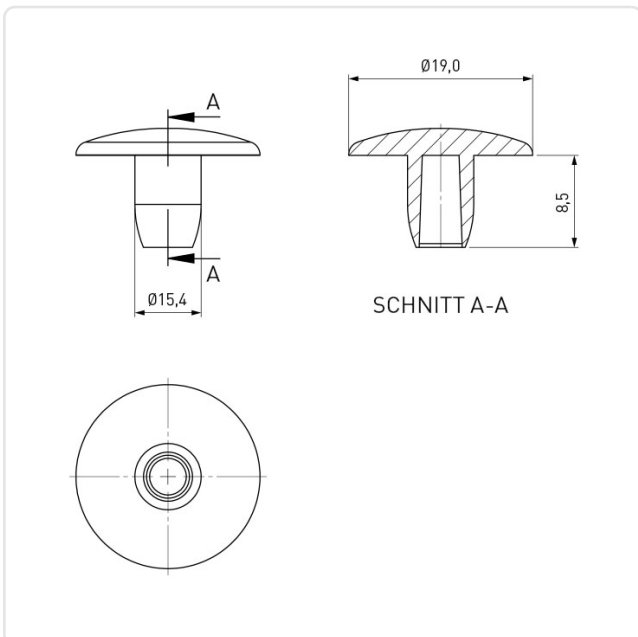


Image may be similar

Color: Black
Inner Diameter [mm]: 15.4
Material: PE - Polyethylene
Material Group: Plastic
Model: Hole Plug
Outer Diameter [mm]: 19
Weight: 0.85g
Conformities:



You can find all
information on the web on
our article detail page



Would you like individual advice?

We look forward to your email to products@ettinger.de.

Subject to change and errors.