

Article datasheet

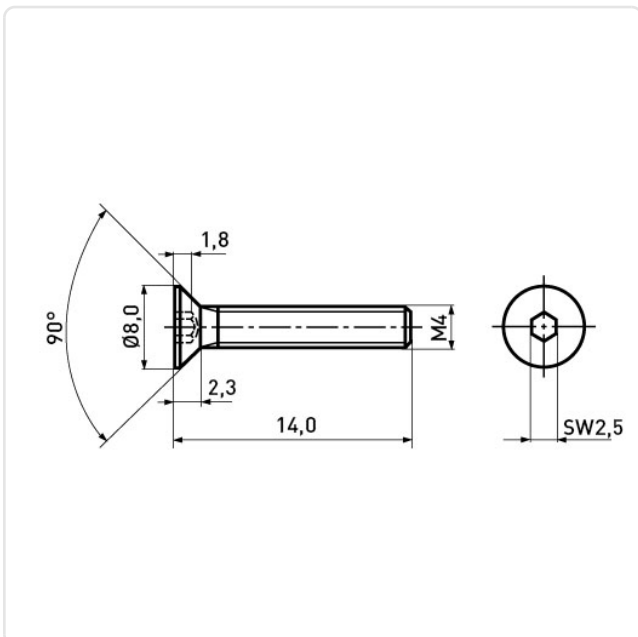
Countersunk Screw ISO10642 M4x14 Galvanized Steel 10.9 Hexagon Socket

Article-No.: 082.94.411



Image may be similar

Actuator Size:	Hexagon Socket Hex2.5
DIN/ISO:	DIN7991 / ISO10642
Drive Type:	Hexagon Socket
Finish:	Galvanized, Blue, 5 µm, A2K
Head Diameter [mm]:	8.96
Head Height [mm]:	2.48
Head Shape:	Countersunk Head
Length [mm]:	14
Material:	Steel 10.9
Material Group:	Steel
Thread Size:	M4
Weight:	1.32g
Conformities:	



You can find all
information on the web on
our article detail page

Would you like individual advice?

We look forward to your email to products@ettinger.de.

Subject to change and errors.