

Article datasheet

Flat Head Screw M4x16 Nickel-Plated Brass Slotted

Article-No.: 001.84.216

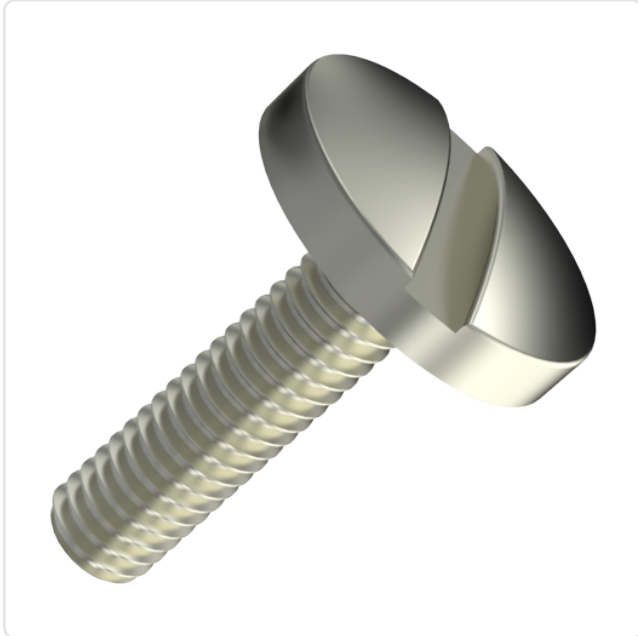
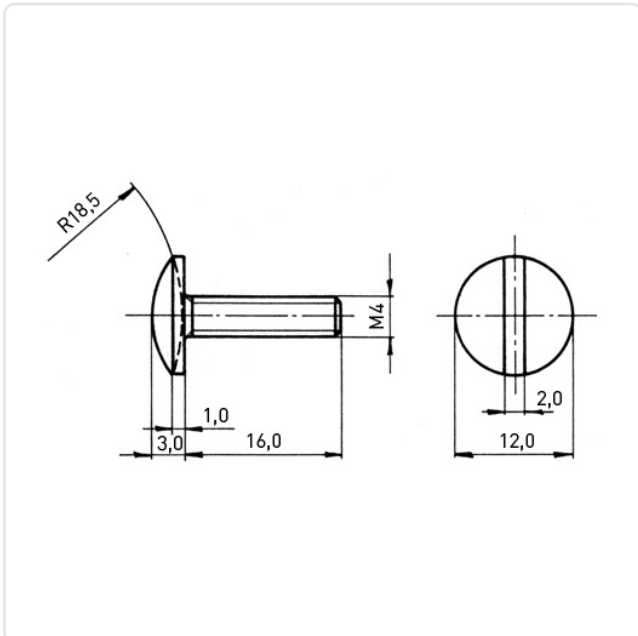


Image may be similar

Drive Type:	Slotted
Finish:	Nickel-Plated, 3 µm, E1E
Head Diameter [mm]:	12
Head Height [mm]:	3
Head Shape:	Pan Head
Length [mm]:	16
Material:	Brass
Material Group:	Brass
Thread Size:	M4
Weight:	3.1g
Conformities:	



You can find all
information on the web on
our article detail page



Would you like individual advice?

We look forward to your email to products@ettinger.de.

Subject to change and errors.