

Article datasheet

Countersunk Screw VSM13328 M6x16 Galvanized Steel 4.8 Slotted

Article-No.: 001.71.661

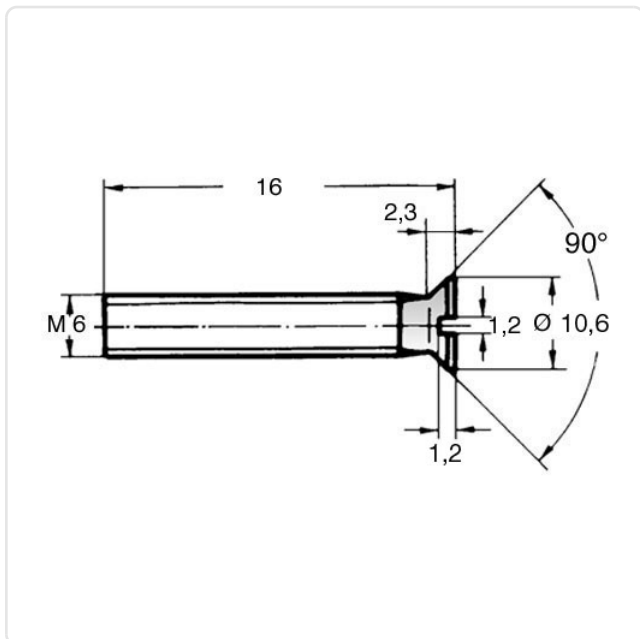


Image may be similar

Drive Type:	Slotted
Finish:	Galvanized, Blue, 5 µm, A2K
Head Diameter [mm]:	11
Head Height [mm]:	3
Head Shape:	Countersunk Head
Length [mm]:	16
Material:	Steel 4.8
Material Group:	Steel
Thread Size:	M6
Weight:	3.13g
Conformities:	



You can find all
information on the web on
our article detail page



Would you like individual advice?

We look forward to your email to products@ettinger.de.

Subject to change and errors.