

Article datasheet

## Countersunk Screw ISO2009 M10x60 Polyamide 6.6 natural slotted

Article-No.: 001.46.8070

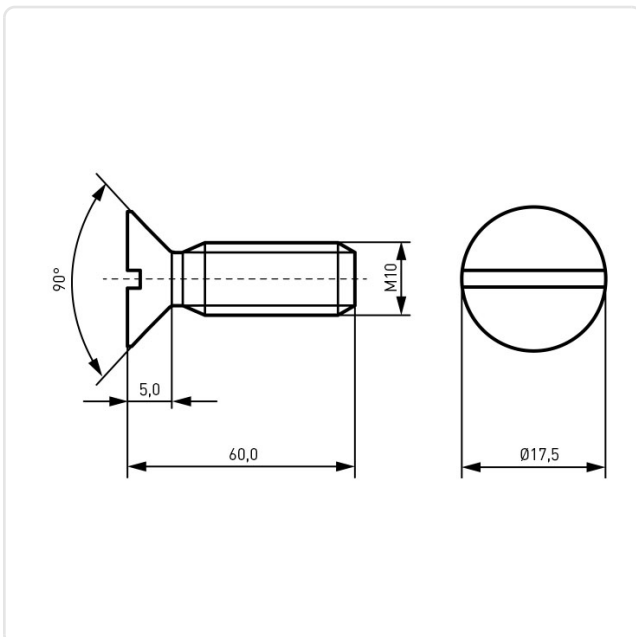


Image may be similar

Color:	Natural
DIN/ISO:	DIN963 / ISO2009
Drive Type:	Slotted
Head Diameter [mm]:	17.5
Head Height [mm]:	5
Head Shape:	Countersunk Head
Length [mm]:	60
Material:	PA 6.6
Thread Size:	M10
Weight:	4.496g
Conformities:	



You can find all  
information on the web on  
our article detail page



Would you like individual advice?

We look forward to your email to [products@ettinger.de](mailto:products@ettinger.de).

Subject to change and errors.