

Article datasheet

Flanged Bearing $\varnothing 8/12/16 \times 6$ -2mm Polyamid 6.6 natural

Article-No.: 005.99.087

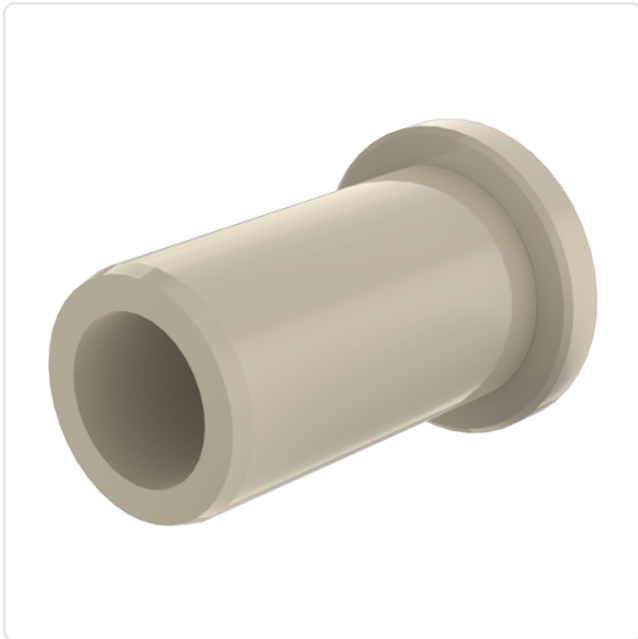


Image may be similar

Color:	Natural
Flammability Class:	UL94-V2
Inner Diameter [mm]:	8
Length [mm]:	6
Lug Diameter [mm]:	12
Material:	Polyamide 6.0 25% GF
Material Group:	Plastic
Model:	With High Lug
Outer Diameter [mm]:	16
Weight:	0.66g
Conformities:	



You can find all
information on the web on
our article detail page

Would you like individual advice?

We look forward to your email to products@ettinger.de.

Subject to change and errors.

