

Article datasheet

Strain Relief Bushing f.Round-Cable / Hole size 11.5 x 13.0 mm

Article-No.: 014.04.450

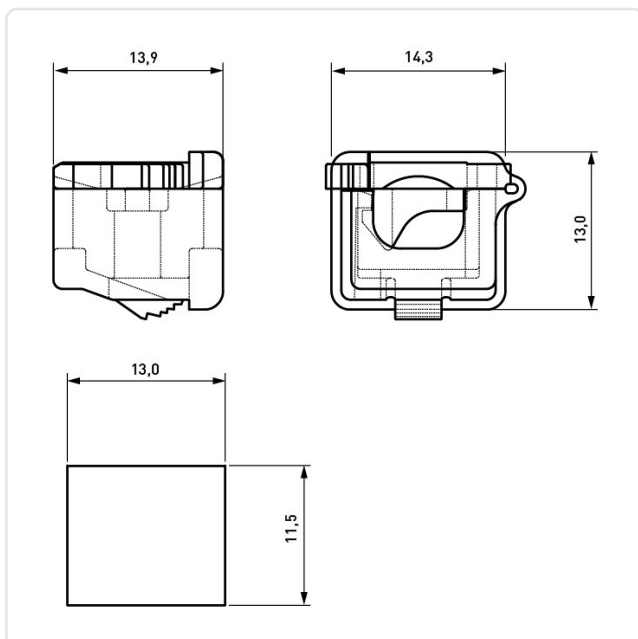


Image may be similar

Cable diameter [mm]: Ø 3,0-7,6
Color: Black
Material: Polyamide 6.6 - UL94 V-2
Material Group: Kunststoff
Panel Thickness [mm]: 2,5
Weight: 1.44g
Conformities:



You can find all
information on the web on
our article detail page



Would you like individual advice?

We look forward to your email to products@ettinger.de.

Subject to change and errors.