

Article datasheet

## Self-Clinching Nut M3 | 0.0 Plain Brass

Article-No.: 002.90.934

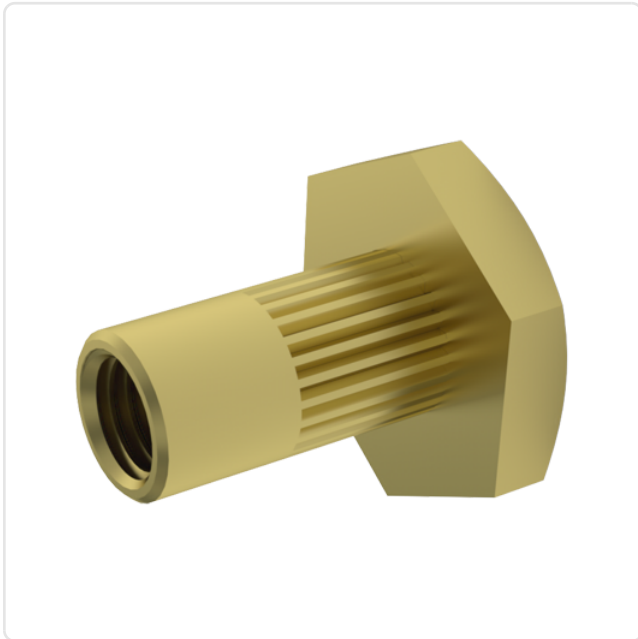
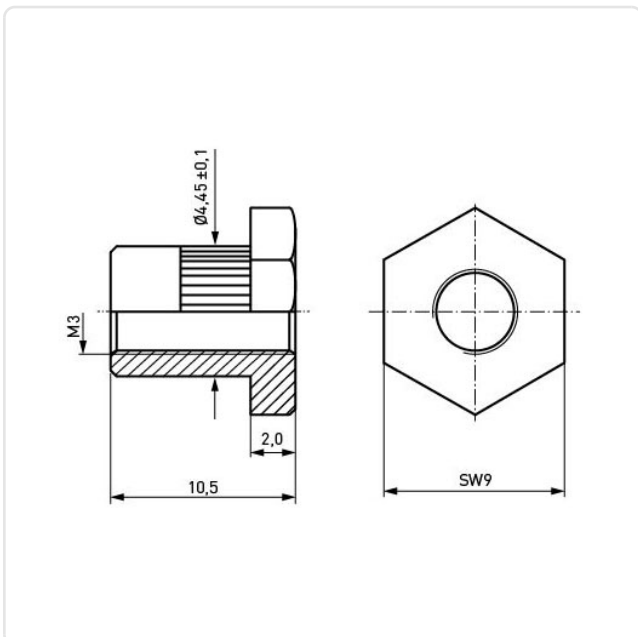


Image may be similar

Area of Application: For Plastics  
Finish: Plain  
Height [mm]: 10.5  
Material: Brass CuZn39Pb3  
Panel Hole Ø [mm]: 4.3  
Thread Size: M3  
Weight: 1.55g  
Conformities:



You can find all  
information on the web on  
our article detail page



Would you like individual advice?

We look forward to your email to [products@ettinger.de](mailto:products@ettinger.de).

Subject to change and errors.