

Article datasheet

## Batteryholder 6x Mignon "AA" cells Polypropylen black withg snap terminals

Article-No.: 015.36.695

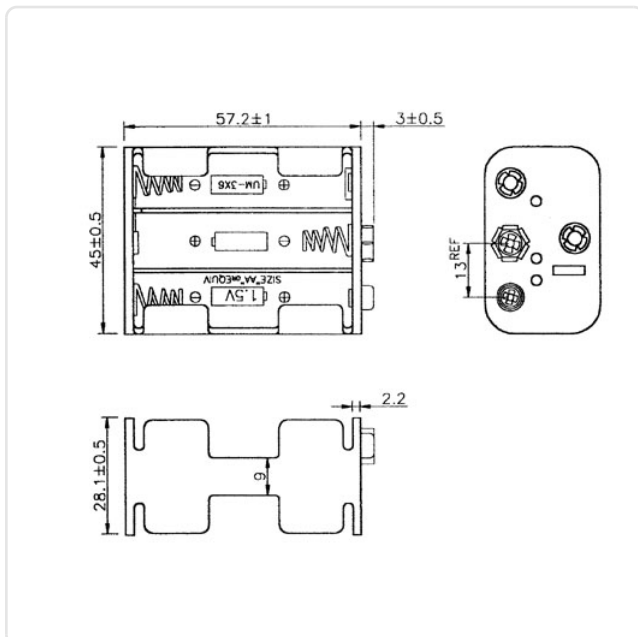


Image may be similar

Battery Type: AA-Mignon  
 Flammability Class: UL94-V0  
 Length [mm]: 77.06  
 Material: Plastic  
 Model: Snap Terminal Connection  
 No. Cells: 2  
 Weight: 14.3g  
 Conformities:



You can find all information on the web on our article detail page



Would you like individual advice?

We look forward to your email to [products@ettinger.de](mailto:products@ettinger.de).

Subject to change and errors.