

Article datasheet

SEMS Screw ISO14583 TX Z4 M2.5x6 Galvanized Steel 8.8 Spring Lock Washer

Article-No.: 081.55.222

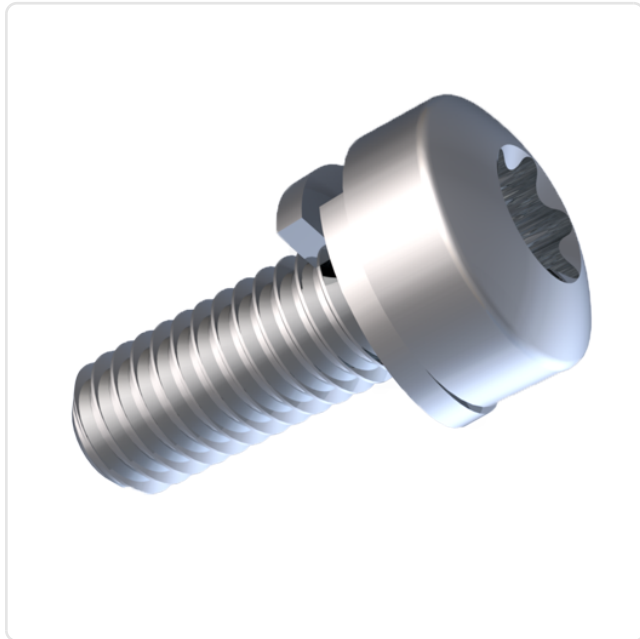


Image may be similar

Actuator Size:	Torx T8
Combination:	Spring Lock Washer DIN6905
DIN/ISO:	ISO14583
Drive Type:	TORX
Finish:	Galvanized, Blue, 5 µm, A2K
Head Diameter [mm]:	5
Head Height [mm]:	2.1
Head Shape:	Pan Head
Length [mm]:	6
Material:	Steel 8.8, lead-free
Thread Size:	M2.5
Weight:	0.46g
Conformities:	



You can find all
information on the web on
our article detail page

Would you like individual advice?

We look forward to your email to products@ettinger.de.

Subject to change and errors.

