

Article datasheet

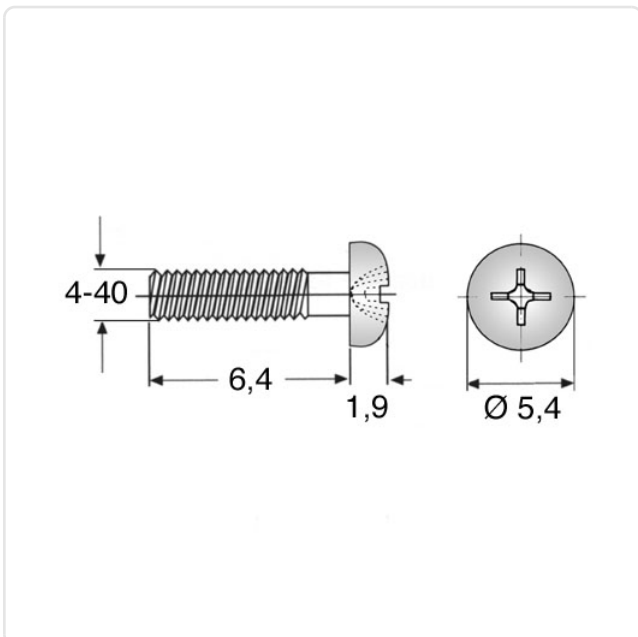
UNC Bolt UNC4-40 x 6.4 PA Natural Cross Recessed Pan Head

Article-No.: 001.67.426



Image may be similar

Actuator Size:	Phillips PH1
Color:	Natural
Drive Type:	Cross Recess / Phillips-H
Flammability Class:	UL94-V2
Head Diameter [mm]:	5.4
Head Height [mm]:	1.9
Head Shape:	Pan Head
Length [mm]:	6.4
Material:	PA 6.0
Material Group:	Plastic
Thread Size:	UNC4-40
Weight:	0.08g
Conformities:	



You can find all
information on the web on
our article detail page

Would you like individual advice?

We look forward to your email to products@ettinger.de.

Subject to change and errors.