

Article datasheet

Lock Nut M5 Polyamide 6.6 natural

Article-No.: 002.05.356

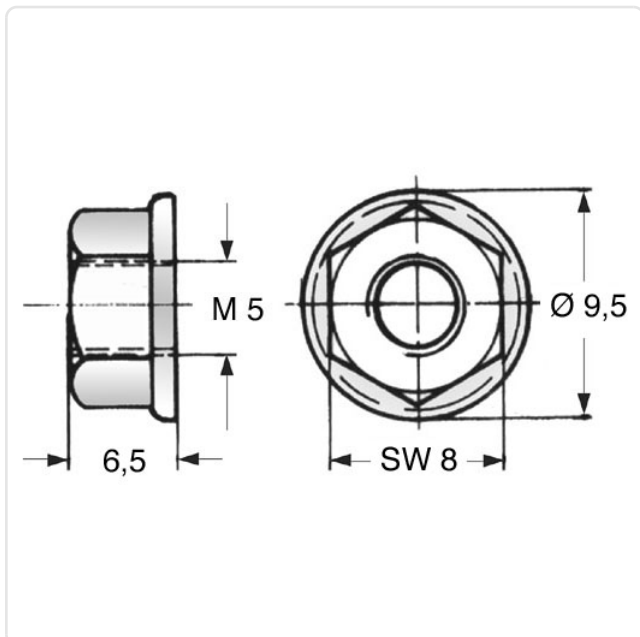


Image may be similar

AF / OD [mm]: 8
Height [mm]: 6.5
Material: PA 6.6
Material Group: Plastic
Thread Size: M5
Weight: 0.3g
Conformities:



You can find all
information on the web on
our article detail page



Would you like individual advice?

We look forward to your email to products@ettinger.de.

Subject to change and errors.