

Article datasheet

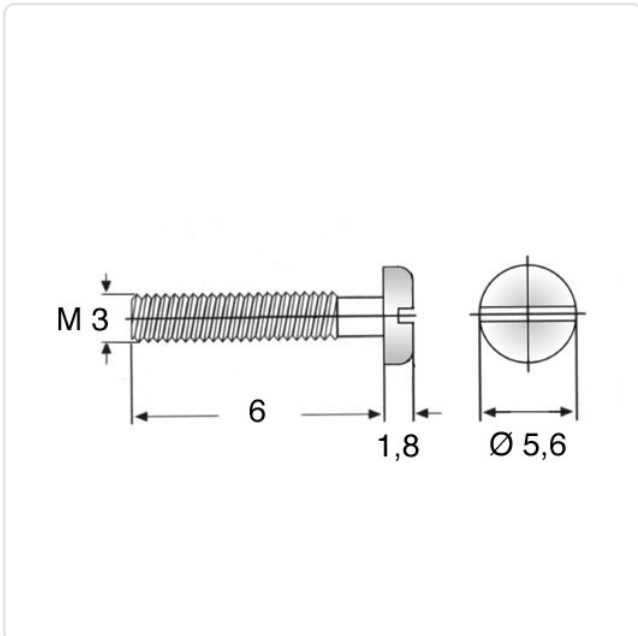
## Flat Head Screw ISO1580 M3x6 PA/GF Slotted Pan Head

Article-No.: 001.45.327



Image may be similar

Color:	Natural
DIN/ISO:	DIN85 / ISO1580
Drive Type:	Slotted
Flammability Class:	UL94-HB
Head Diameter [mm]:	6
Head Height [mm]:	1.8
Head Shape:	Pan Head
Length [mm]:	6
Material:	PA 6.0 25% GF
Material Group:	Kunststoff
Thread Size:	M3
Weight:	0.09g
Conformities:	



You can find all  
information on the web on  
our article detail page

Would you like individual advice?

We look forward to your email to [products@ettinger.de](mailto:products@ettinger.de).

Subject to change and errors.