

Article datasheet

## Drive Fasteners - Canoe Clip / Panel Thk. max. 2.4 - 5.8 mm

Article-No.: 072.01.741

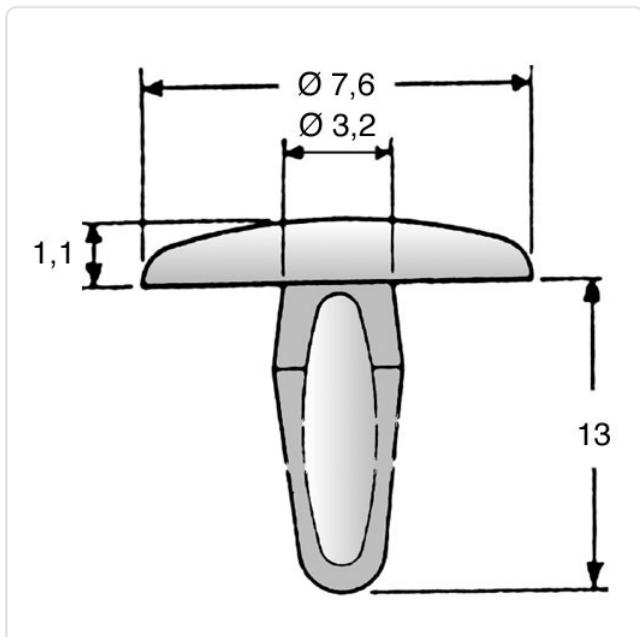


Image may be similar

Color:	Natural
Flammability Class:	UL94-V2
Head Diameter [mm]:	7.6
Material:	Polyamide 6.0 25% GF
Material Group:	Plastic
Mounting Hole [mm]:	3.5
Panel Thickness Range [mm]:	2.0 - 32.0 mm
Weight:	0.15g
Conformities:	



You can find all information on the web on our article detail page



Would you like individual advice?

We look forward to your email to [products@ettinger.de](mailto:products@ettinger.de).

Subject to change and errors.