

Article datasheet

Strain Relief $\varnothing 7.6/15.9/-3.2\text{mm}$ Polyamid 6.6 black

Article-No.: 014.04.173

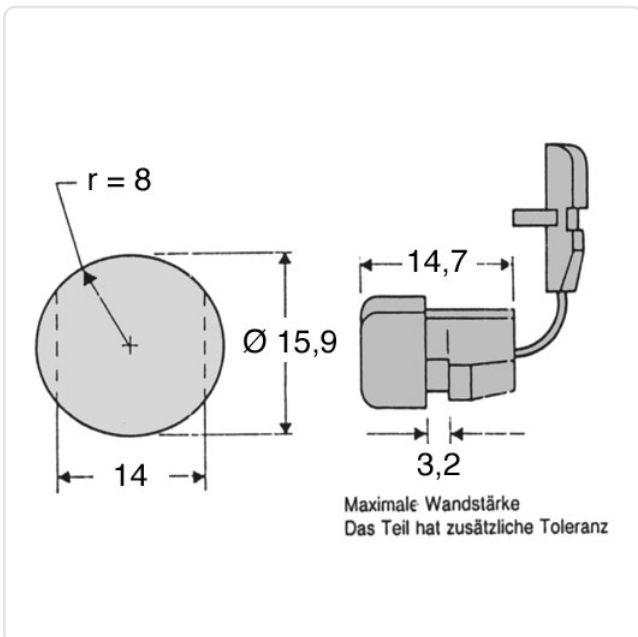


Image may be similar

Cable diameter [mm]:	$\varnothing 3,0-7,6$
Color:	Black
Material:	Polyamide 6.6 - UL94 V-2
Material Group:	Kunststoff
Max. Panel Thickness [mm]:	3.2
Mounting Hole [mm]:	15.9
Panel Thickness Range [mm]:	$\varnothing 7,6 \text{ mm}$
Weight:	2.25g
Conformities:	



You can find all information on the web on our article detail page



Would you like individual advice?

We look forward to your email to products@ettinger.de.

Subject to change and errors.