

Article datasheet

Handle 120/42/10mm M5 Stainless steel 1.4301

Article-No.: 029.59.120

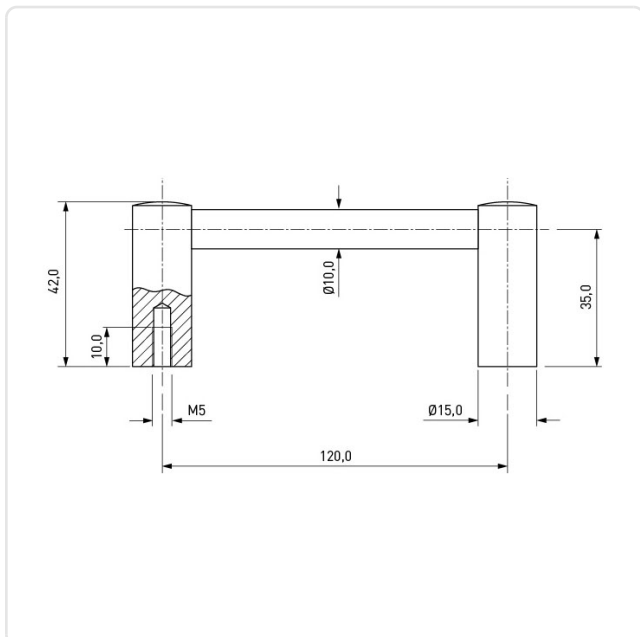


Image may be similar

Dist. Mounting Holes [mm]:	120
Finish:	Plain
Height [mm]:	42
Material Group:	Stainless Steel
Model:	Equipment Handle
Thread Size:	M5
Width [mm]:	10
Conformities:	



You can find all
information on the web on
our article detail page



Would you like individual advice?

We look forward to your email to products@ettinger.de.

Subject to change and errors.