

Article datasheet

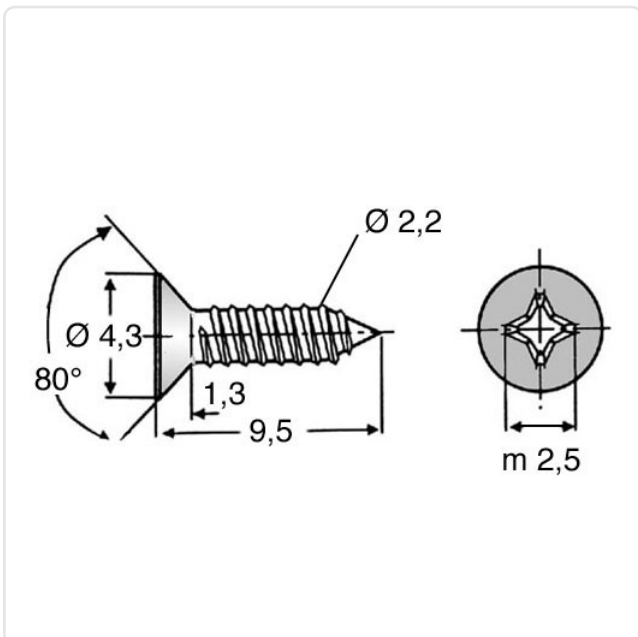
Tapping Screw DIN7982C Ø2.2x9.5 Plain Steel A2 Cross Recess CSK Head

Article-No.: 001.25.042



Image may be similar

Actuator Size:	Phillips PH1
DIN/ISO:	DIN7982 / ISO7050
Drive Type:	Cross Recess / Phillips-H
Finish:	Plain
Head Diameter [mm]:	4.3
Head Height [mm]:	1.3
Head Shape:	Countersunk Head
Length [mm]:	9.5
Material:	Stainless Steel A2 / AISI 304
Material Group:	Stainless Steel
Thread Diameter [mm]:	Ø 2.2
Weight:	0.22g
Conformities:	



You can find all
information on the web on
our article detail page

Would you like individual advice?

We look forward to your email to products@ettinger.de.

Subject to change and errors.