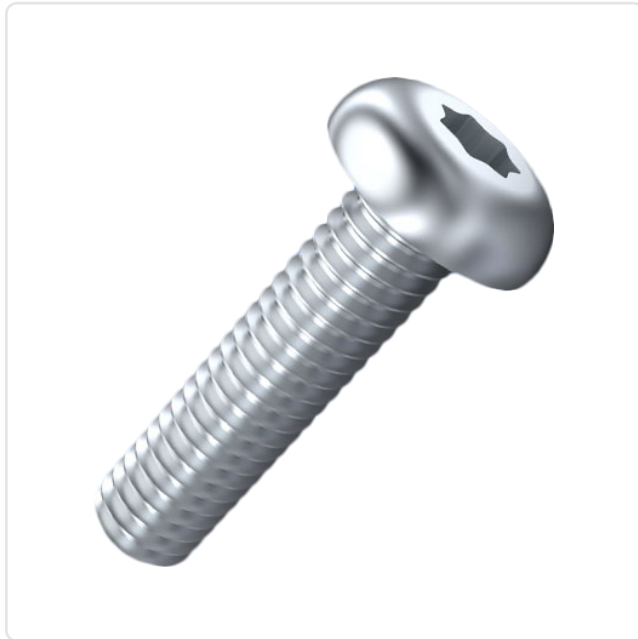


Article datasheet

Flat Head Screw ISO7380-1 M3x4 A2 Plain ST STL Torx Button Head

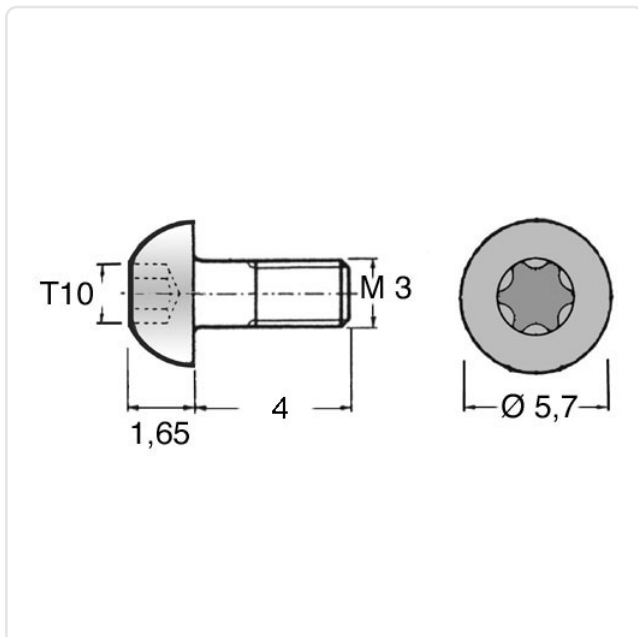
Article-No.: 001.53.302



Actuator Size:	Torx T10
DIN/ISO:	ISO7380-1
Drive Type:	TORX
Finish:	Plain
Head Diameter [mm]:	5.7
Head Height [mm]:	1.65
Head Shape:	Button Head
Length [mm]:	4
Material:	Stainless Steel AISI 304 / A2
Material Group:	Stainless Steel
Thread Size:	M3
Weight:	0.38g
Conformities:	



Image may be similar



You can find all
information on the web on
our article detail page

Would you like individual advice?

We look forward to your email to products@ettinger.de.

Subject to change and errors.