

Article datasheet

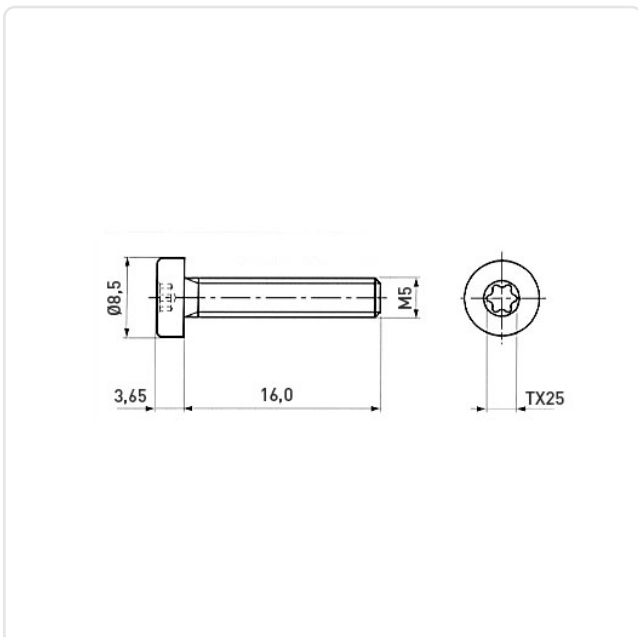
Cheese Head Screw ISO14580 M5x16 Galvanized Steel 8.8 Torx

Article-No.: 001.63.561



Image may be similar

Actuator Size:	Torx T25
DIN/ISO:	ISO14580
Drive Type:	TORX
Finish:	Galvanized, Blue, 5 µm, A2K
Head Diameter [mm]:	8.5
Head Height [mm]:	3.65
Head Shape:	Flat Cheese Head
Length [mm]:	16
Material:	Steel 8.8
Material Group:	Stahl
Thread Size:	M5
Weight:	3.3g
Conformities:	



You can find all
information on the web on
our article detail page

Would you like individual advice?

We look forward to your email to products@ettinger.de.

Subject to change and errors.