

Article datasheet

## Stainless-Steel Cable Clamps / Grounding Cable Clamp

Article-No.: 014.51.759

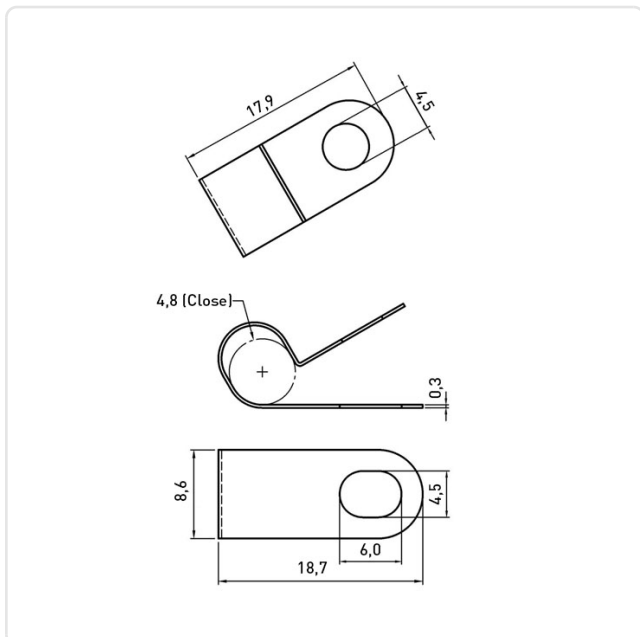


Image may be similar

Bundle Diameter [mm]:	4,8
Distance Middle/Middle [mm]:	11
Length [mm]:	18.7
Material:	Stainless Steel A2 / AISI 304
Mounting Hole [mm]:	4.5
Thickness [mm]:	0.3
Width [mm]:	8.6
Weight:	0.7g
Conformities:	



You can find all information on the web on our article detail page



Would you like individual advice?

We look forward to your email to [products@ettinger.de](mailto:products@ettinger.de).

Subject to change and errors.