

Article datasheet

## Cheese Head Screw ISO1207 M4x6 Galvanized Steel 4.8 Slotted

Article-No.: 001.14.421

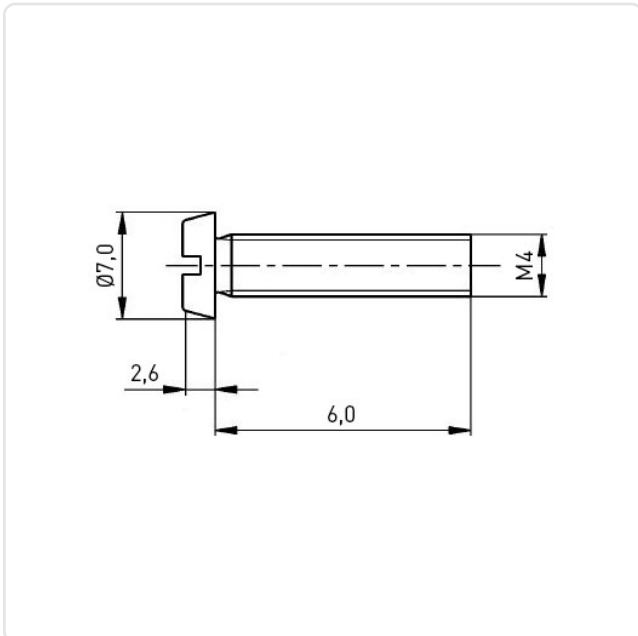


Image may be similar

DIN/ISO:	DIN84 / ISO1207
Drive Type:	Slotted
Finish:	Galvanized, Blue, 5 µm, A2K
Head Diameter [mm]:	7
Head Height [mm]:	2.6
Head Shape:	Cheese Head
Length [mm]:	6
Material:	Steel 4.8
Material Group:	Steel
Thread Size:	M4
Weight:	1.05g
Conformities:	



You can find all information on the web on our article detail page



Would you like individual advice?

We look forward to your email to [products@ettinger.de](mailto:products@ettinger.de).

Subject to change and errors.