

Article datasheet

Flat Caps for Tuning Knob \varnothing 31 mm

Article-No.: 041.31.100

Manufacturer: OKW Gehäusesysteme

Manufacturer article-no.: A41.31.100

OKW
GEHÄUSE
SYSTEME

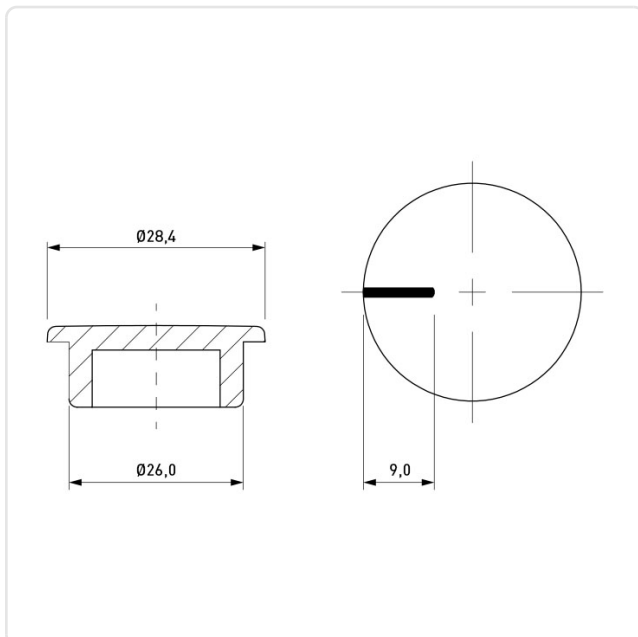


Image may be similar

Color: Black
Marking: Line
Material: ABS
Material Group: Plastic
Model: Cap for Combination Knob
Outer Diameter [mm]: 28.4
Weight: 1.1g
Conformities:



You can find all
information on the web on
our article detail page



Would you like individual advice?

We look forward to your email to products@ettinger.de.

Subject to change and errors.