

Article datasheet

## Combination Nut M8 A2 Plain SST Rotatable Washer

Article-No.: 002.09.128

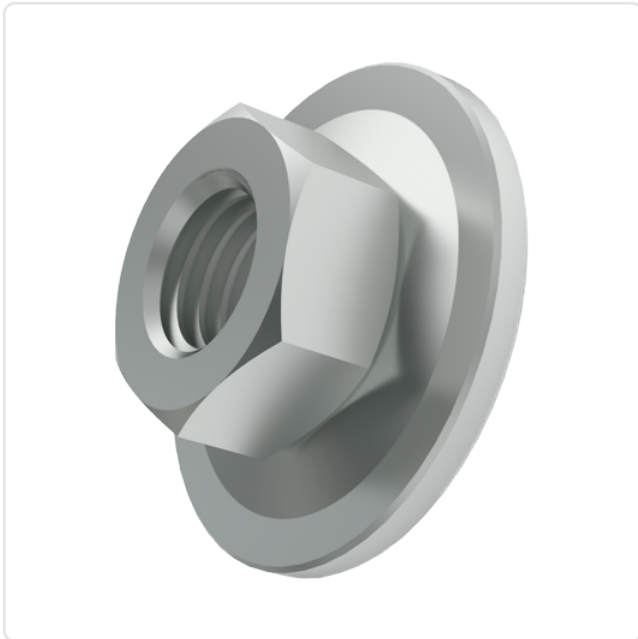


Image may be similar

AF / OD [mm]: 13  
Finish: Plain  
Height [mm]: 8.7  
Material: Stainless Steel A2 / AISI 304  
Material Group: Stainless Steel  
Thread Size: M8  
Conformities:



You can find all  
information on the web on  
our article detail page

Would you like individual advice?

We look forward to your email to [products@ettinger.de](mailto:products@ettinger.de).

Subject to change and errors.

