

Article datasheet

## Mounting Bracket 11.1X19.8mm Steel,tin-plated/UNC 8-32 thread

Article-No.: 014.84.835

Manufacturer: Keystone Electronics

Manufacturer article-no.: 631

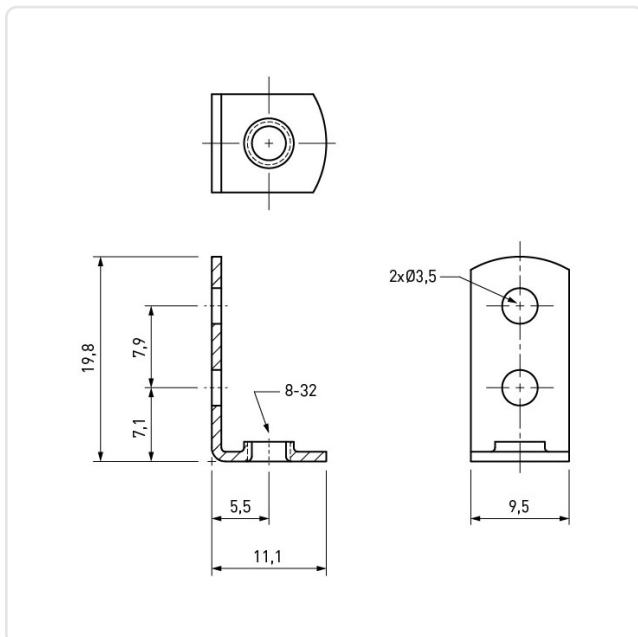


Image may be similar

Finish: Tin-Plated  
Material: Steel  
Material Group: Steel  
Model: Right-Angled with Thread  
Thread 1 / Hole 1:  $\varnothing 3,2$   
Thread 2 / Hole 2: UNC8-32  
Width [mm]: 9.5  
Weight: 1.87g  
Conformities:



You can find all information on the web on our article detail page



Would you like individual advice?

We look forward to your email to [products@ettinger.de](mailto:products@ettinger.de).

Subject to change and errors.